

MUTE

Our Mute desktop acoustic privacy pods bring a new dimension to desktop screening in a solution that is lightweight and totally mobile.

Being lightweight and portable makes these privacy pods the perfect solution for either hot desking or cluster desks giving you that bit of privacy we all crave in a busy office. Because the material is 100% polyester fibre it has sound absorbing qualities which helps quieten the hustle and bustle of an open plan office environment.

SPECIFICATION

- Composition: 100 % polyester (recycled PET appx. 50 %)
- Material Weight: 12mm: 2600g/m² (+/- 5 %)
- Material Thickness: 12mm

PERFORMANCE

- Acoustic Rates: 2,38 Sabines (m²) average 250-4000Hz
- Fire Rates: B, S1, d0 (EN-13501)
- Light fastness: 6+ (ISO-105 B02)
- Health : 99.9 % Antibacterial (ISO-20743)
- Formaldehyde-free (ISO-14184)
- Moisture Absorption: >0.03 % by weight (50°C/122°F at 90% relative humidity)
- Thermal insulating: 0,040 W/mK
- Abrasion: EN ISO 12947 / Performance 'A'

KEY FEATURES & BENEFITS

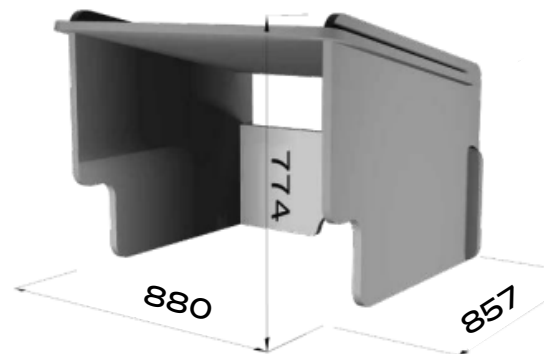
- Available in 19 colours
- Highly durable providing long-term stability and performance.
- Safe, non-toxic, non-irritant & without red list chemical binders.
- Recycled and recyclable.
- 10 years warranty.

CARE

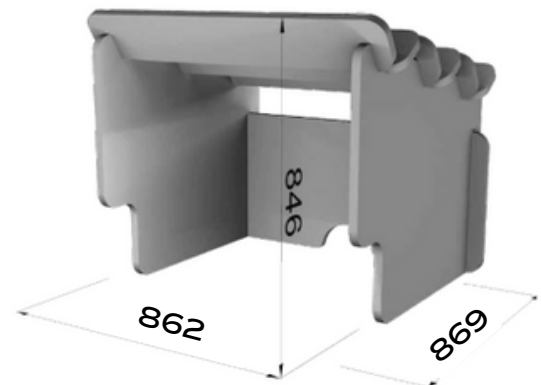
- Easy to clean with a damp cloth or vacuum cleaner.
- Indoor use only.

DIMENSIONS

MUTE 1



MUTE 2



MUTE 3

