

V PLATE 6MM

Product Code: 13PT1106, 14PT1106S, 13PT1006, 14PT1006S, 13PT1806, 14PT1806S

Plates are the source of inspiration for Plativity Collection with endless ideas. They offer tailor-made acoustic solutions of various thicknesses and dimensions. It allows unique and customizable designs by CNC cutting. Semi-rigid Plate sheets are lightweight and easy to install.

Specification

- Composition: 100 % polyester (recycled PET appx. 50 %)
- Material Weight: 6mm: 1300g/m² (+/- 5 %)
- Material Thickness: 6mm Natural & Mandarin colors (+/- 10 %)
- Product Weight: 1200x2400mm /Natural: 3,74 kg / per pcs. (+/-5 %)
Mandarin: 3,64 kg / per pcs. (+/-5 %)
- 1400x1800mm / Natural: 3,28 kg / per pcs. (+/-5 %)
Mandarin: 3,18 kg / per pcs. (+/-5 %)
- 1400x3000mm /Natural: 5,46 kg / per pcs. (+/-5 %)
Mandarin: 5,36 kg / per pcs. (+/-5 %)

Performance

- Acoustic Rates: Natural: NRC (EN-11654)
Mandarin: 0.25 NRC (EN-11654)
Natural + Feltfill: NRC (EN-11654)
Mandarin + Feltfill: 0.95 NRC (EN-11654)
- Fire Rates: B, S1, d0 (EN-13501)
- Light fastness: 6+ (ISO-105 B02)
- Health : 99.9 % Antibacterial (ISO-20743)
- Formaldehyde-free (ISO-14184)
- Moisture Absorption: >0.03 % by weight (50°C/122°F at 90% relative humidity)
- Thermal insulating: 0,040 W/mK
- Abrasion: EN ISO 12947 / Performance 'A'

Key Features & Benefits

- Available in 7 Natural colors & 34 Mandarin colors.
- Highly durable providing long-term stability and performance.
- Safe, non-toxic, non-irritant & without red list chemical binders.
- Recycled and recyclable.
- 10 years warranty.

Care

- Easy to clean with a damp cloth or vacuum cleaner.
- Indoor use only.

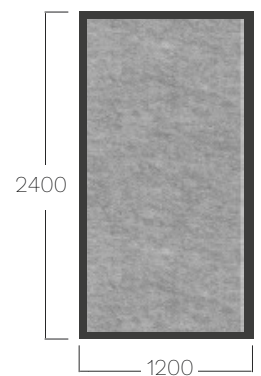
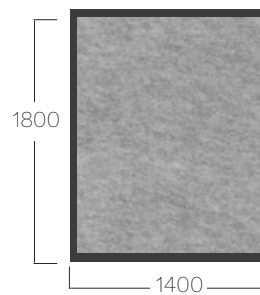
Installation

- Prior to installation, walls and surfaces must be clean, dust free, and void of any defects or imperfections. Contact-type adhesive for applying for the plate on surfaces such as plasterboard, concrete, block, plywood, MDF, and particleboard. NGA recommends Pattex PL600 & Liquid Nails LN2000 or equivalent adhesive with a glue gun.

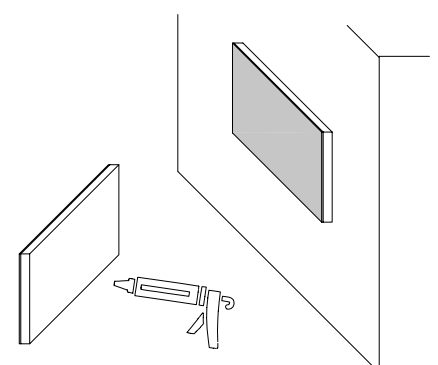
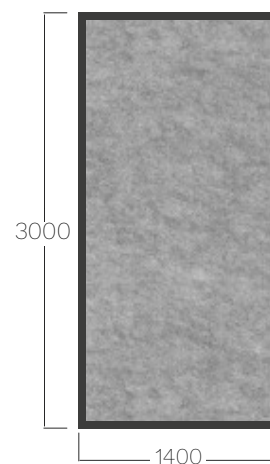
Dimensions (mm):

13PT1106 / 14PT1106S
W: 1400mm
L: 1800mm
Thickness: 6mm

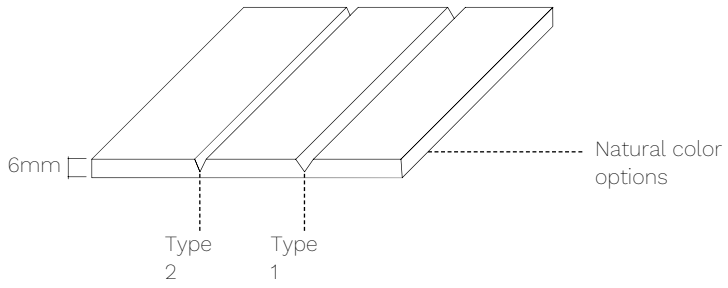
13PT1006 / 14PT1006S
W: 1200mm
L: 2400mm
Thickness: 6mm



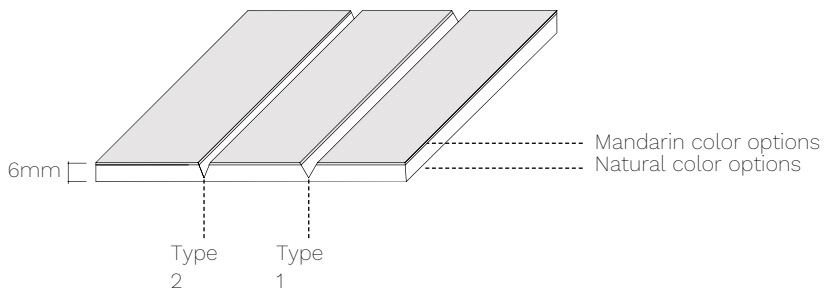
13PT1806 / 14PT1806S
W: 1400mm
L: 3000mm
Thickness: 6mm



Thickness : 6mm Natural Felt

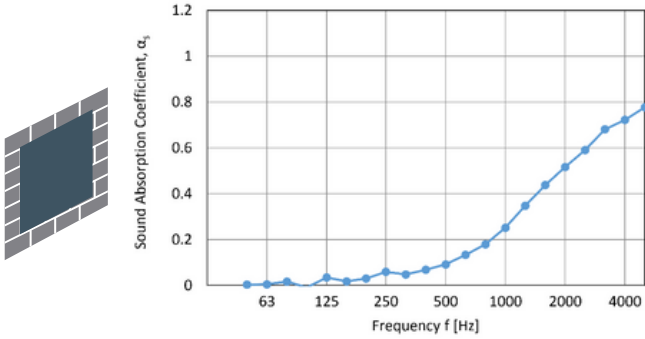


Thickness : 6mm Mandarin Felt (Natural + Mandarin (finish layer))



ACOUSTIC TEST REPORT

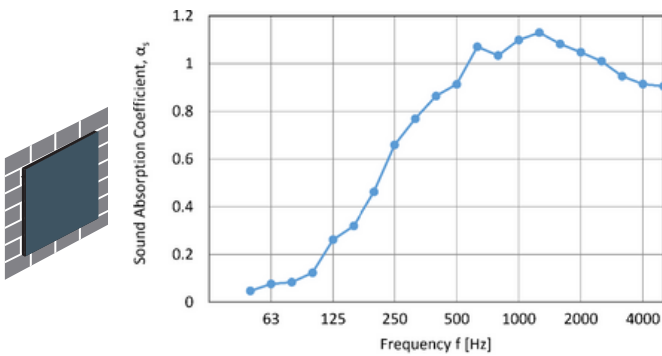
6mm Mandarin



125 Hz	250 Hz	500 Hz	1000 Hz	2000 Hz	4000 Hz
0,01	0,05	0,10	0,26	0,51	0,73

Rating according to ISO 11654:
Weighted sound absorption coefficient
 α_{we} 0,15
 NRC: 0,25
 Sound absorption class: E

6mm Mandarin + Feltfill



125 Hz	250 Hz	500 Hz	1000 Hz	2000 Hz	4000 Hz
0,24	0,63	0,95	1,09	1,05	0,92

Rating according to ISO 11654:
Weighted sound absorption coefficient
 α_{we} 0,90
 NRC: 0,95
 Sound absorption class: A

V PLATE 12MM

Product Code: 25PT1112, 25PT1112S, 25PT1012, 25PT1012S, 25PT1812, 25PT1812S

Plates are the source of inspiration for Plativity Collection with endless ideas. They offer tailor-made acoustic solutions of various thicknesses and dimensions. It allows unique and customizable designs by CNC cutting. Semi-rigid Plate sheets are lightweight and easy to install.

Specification

- Composition: 100 % polyester (recycled PET appx. 50 %)
- Material Weight: 2060g/m² (+/- 5%)
- Material Thickness: 12mmmm N: Natural & Mandarin colours (+/-10 %)
- Product Weight: 1200x2400mm / Natural: 6,48 kg / per pcs(+/-5%)
Mandarin: 6,38 kg / per pcs. (+/-5 %)
- 1400x1800mm / Natural: 5,67 kg / per pcs. (+/-5 %)
Mandarin: 5,57 kg / per pcs. (+/-5 %)
- 1400x3000mm / Natural: 9,45 kg / per pcs. (+/-5 %)
Mandarin: 9,35 kg / per pcs. (+/-5 %)

Performance

- Acoustic Rates: Natural: 0.40 NRC (EN-11654)
Mandarin: NRC (EN-11654)
Natural + Feltfill: 1.00 NRC (EN-11654)
Mandarin + Feltfill: NRC (EN-11654)
- Fire Rates: B, S1, d0 (EN-13501)
- Light fastness: 6+ (ISO-105 B02)
- Health : 99.9 % Antibacterial (ISO-20743)
- Formaldehyde-free (ISO-14184)
- Moisture Absorption: >0.03 % by weight (50°C/122°F at 90% relative humidity)
- Thermal insulating: 0,040 W/mK
- Abrasion: EN ISO 12947 / Performance 'A'

Key Features & Benefits

- Available in 7 Natural colors & 34 Mandarin colors.
- Highly durable providing long-term stability and performance.
- Safe, non-toxic, non-irritant & without red list chemical binders.
- Recycled and recyclable.
- 10 years warranty.

Care

- Easy to clean with a damp cloth or vacuum cleaner.
- Indoor use only.

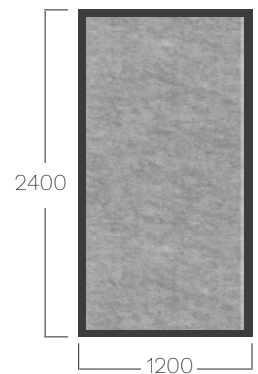
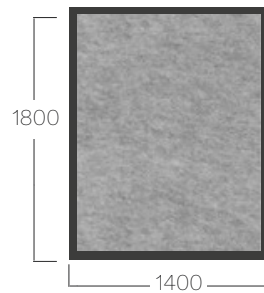
Installation

- Prior to installation, walls and surfaces must be clean, dust free, and void of any defects or imperfections. Contact-type adhesive for applying for the plate on surfaces such as plasterboard, concrete, block, plywood, MDF, and particleboard. NGA recommends Pattex PL600 & Liquid Nails LN2000 or equivalent adhesive with a glue gun.

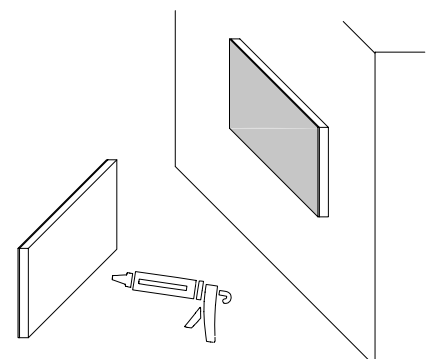
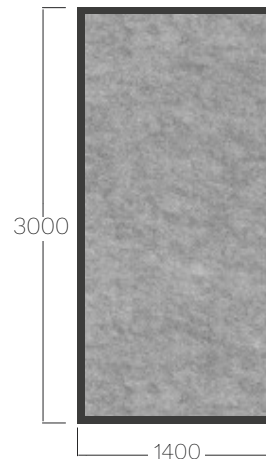
Dimensions (mm):

25PT1112 / 25PT1112S
W: 1400mm
L: 1800mm
Thickness: 12mm

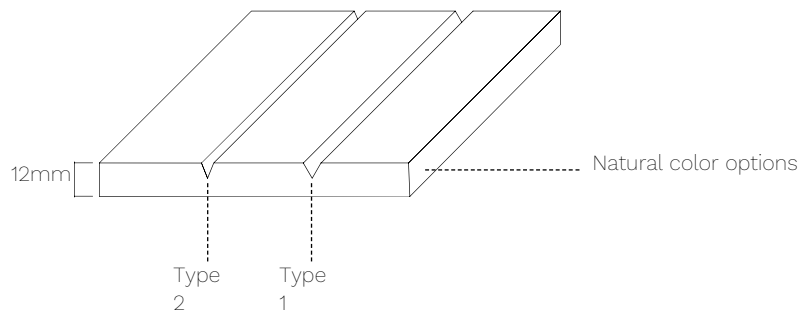
25PT1012 / 25PT1012S
W: 1200mm
L: 2400mm
Thickness: 12mm



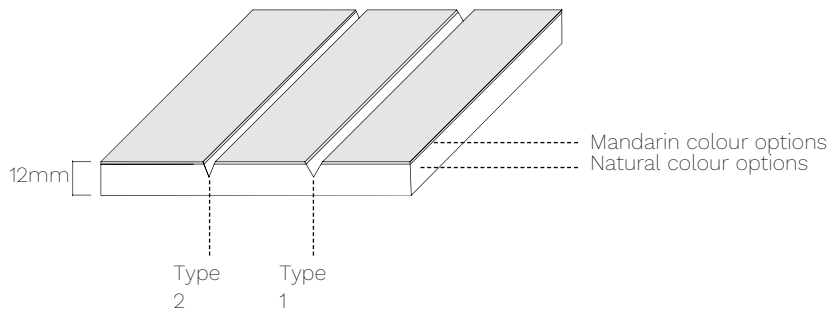
25PT1812 / 25PT1812S
W: 1400mm
L: 3000mm
Thickness: 6mm



Thickness : 12mm Natural Felt

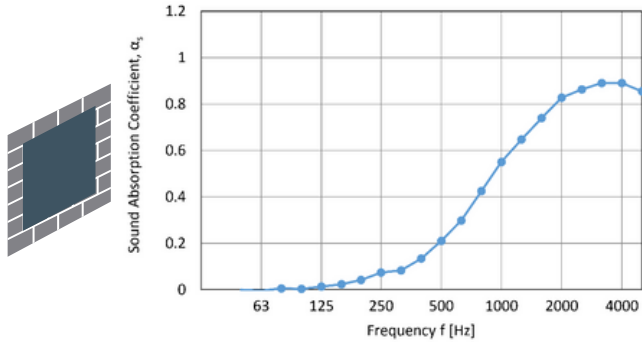


Thickness : 12mm Mandarin Felt (Natural + Mandarin (finish layer))



ACOUSTIC TEST REPORT

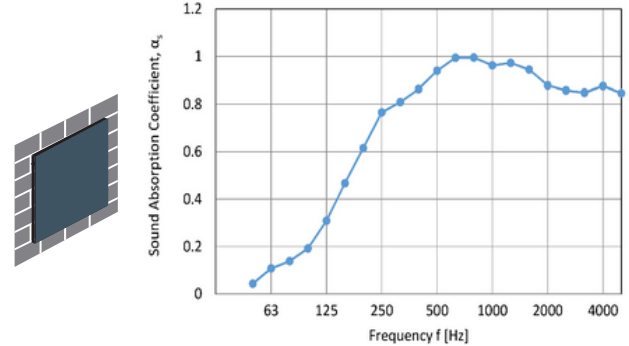
12mm Natural



125 Hz	250 Hz	500 Hz	1000 Hz	2000 Hz	4000 Hz
0,01	0,07	0,21	0,54	0,81	0,88

Rating according to ISO 11654:
Weighted sound absorption coefficient
 α_{we} 0,25
 NRC: 0,40
 Sound absorption class: E

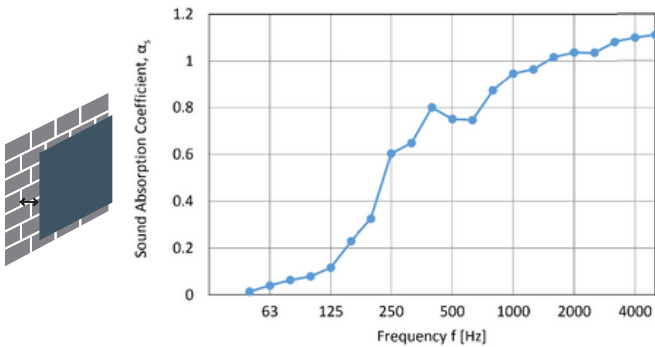
12mm Natural + Feltfill



125 Hz	250 Hz	500 Hz	1000 Hz	2000 Hz	4000 Hz
0,32	0,73	0,93	0,98	0,89	0,86

Rating according to ISO 11654:
Weighted sound absorption coefficient
 α_{we} 0,95
 NRC: 0,90
 Sound absorption class: A

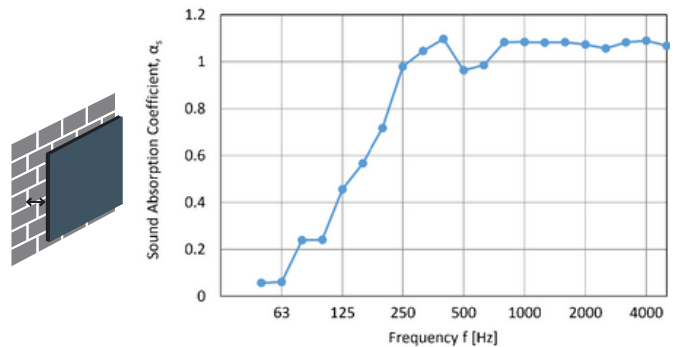
12mm Natural + 30cm Air Gap



125 Hz	250 Hz	500 Hz	1000 Hz	2000 Hz	4000 Hz
0,14	0,53	0,77	0,93	1,03	1,10

Rating according to ISO 11654:
Weighted sound absorption coefficient
 α_{we} 0,75
 NRC: 0,80
 Sound absorption class: C

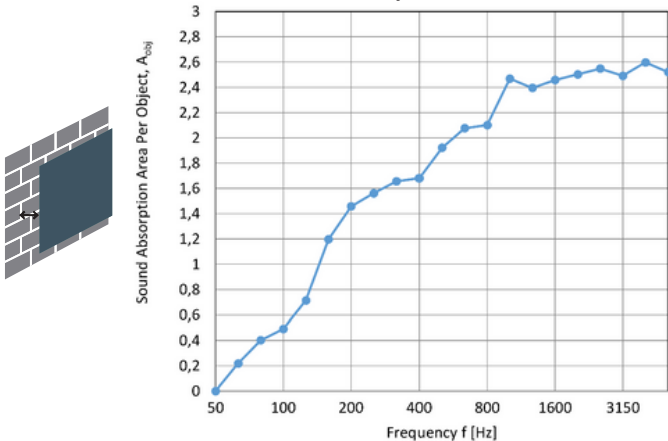
12mm Natural + Feltfill + 30cm Air Gap



125 Hz	250 Hz	500 Hz	1000 Hz	2000 Hz	4000 Hz
0,42	0,91	1,01	1,08	1,07	1,08

Rating according to ISO 11654:
Weighted sound absorption coefficient
 α_{we} 1,00
 NRC: 1,00
 Sound absorption class: A

12mm Natural + 50cm Air Gap



125 Hz	250 Hz	500 Hz	1000 Hz	2000 Hz	4000 Hz
0,80	1,56	1,89	2,32	2,50	2,54

Rating according to ISO 11654:
Weighted sound absorption coefficient
 α_{we} x
 NRC: x