

# VERTIGO CLOUD LIGHTING 1200x1200 DOUBLE

# NGA

## SPECIFICATION

- Composition: 100 % polyester (recycled PET appx. 50 %)
- Material Weight: 1300g /m<sup>2</sup> (+/- 5 %)
- Material Thickness: 6mm Natural & Mandarin colours (+/- 10 %)
- Panel Weight: Natural: 5,63 kg / per pcs. (+/-5%)  
Mandarin: 6,13 kg / per pcs. (+/-5%)

## PERFORMANCE

- Acoustic Rates: 3,46 Sabin (m ) 250-4000Hz
- Fire Rates: B, S1, d0 (EN-13501)
- Light fastness: 6+ (ISO-105 B02)
- Health : 99,9 % Antibacterial (ISO-20743)
- Formaldehyde-free (ISO-14184)
- Moisture Absorption: >0.03 % by weight (50°C/122°F at 90% relative humidity)
- Thermal insulating: 0,040 W/mK
- Abrasion: EN ISO 12947 / Performance 'A'

## KEY FEATURES & BENEFITS

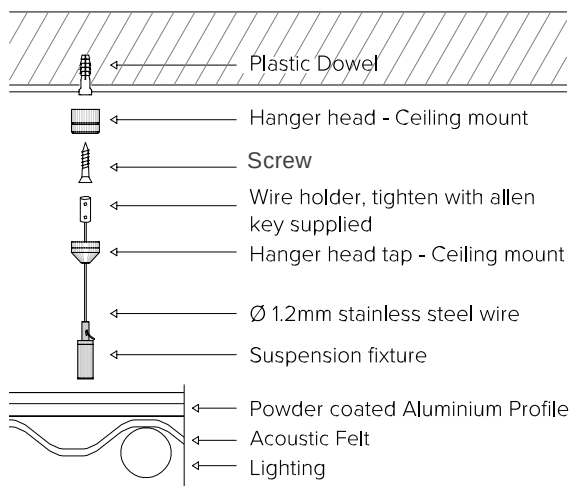
- Available in 7 Natural colors & 34 Mandarin colors.
- Highly durable providing long-term stability and performance.
- Safe, non-toxic, non-irritant & without red list chemical binders.
- Recycled and recyclable.
- 10 years warranty.

## CARE

- Easy to clean with a damp cloth or vacuum cleaner.
- Indoor use only.

## INSTALLATION

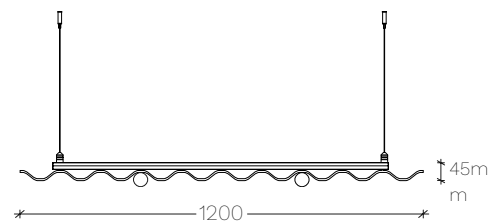
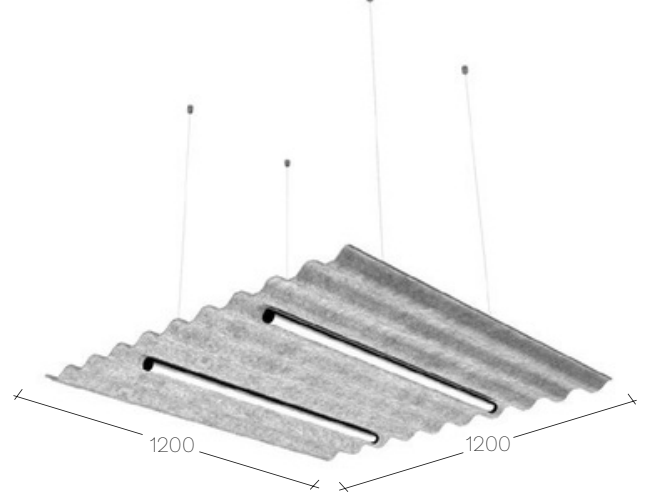
- Designed for easy assembly with adjustable ceiling mount units.



L: 2400mm  
W: 1200mm  
H: 45mm

Lamp Dimension  
L: 1000mm  
Ø: 30mm

## DIMENSIONS (MM):



Light Source Specifications	
Wattage	44W
Input Voltage	220 - 240V AC
Input Frequency	50 / 60 Hz
Lumen Output	4180lm
Color Temperature	2700K, 3000K, 4000K, TW
Color Rendering Index	90CRI
Unified Glare Rating	-
Control Type	On/ Off
Dimmable (Optional)	DALI / Push Dim, Bluetooth
Lighting Type	Direct Lighting

## VERTIGO CLOUD LIGHTING 1200x1200 SINGLE

### SPECIFICATION:

- Composition: 100 % polyester (recycled PET appx. 50 %)
- Material Weight: 1300g /m<sup>2</sup> (+/- 5 %)
- Material Thickness: 6mm Natural & Mandarin colours (+/- 10 %)
- Panel Weight: Natural: 5,63 kg / per pcs. (+/-5%)  
Mandarin: 6,13 kg / per pcs. (+/-5%)

### PERFORMANCE

- Acoustic Rates: 3,46 Sabin (m ) 250-4000Hz
- Fire Rates: B, S1, d0 (EN-13501)
- Light fastness: 6+ (ISO-105 B02)
- Health : 99,9 % Antibacterial (ISO-20743)
- Formaldehyde-free (ISO-14184)
- Moisture Absorption: >0.03 % by weight (50°C/122°F at 90% relative humidity)
- Thermal insulating: 0,040 W/mK
- Abrasion: EN ISO 12947 / Performance 'A'

### KEY FEATURES & BENEFITS

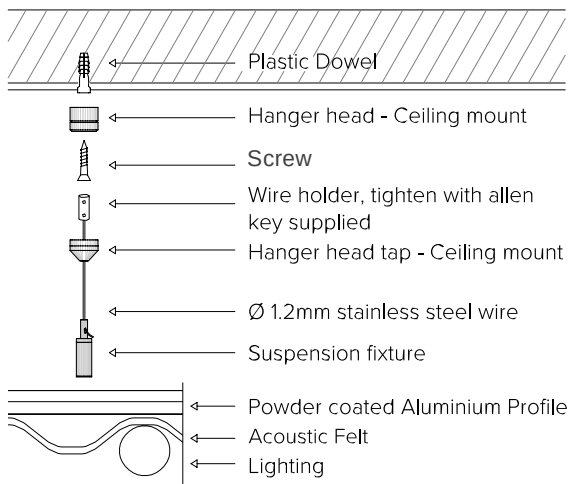
- Available in 7 Natural colors & 34 Mandarin colors.
- Highly durable providing long-term stability and performance.
- Safe, non-toxic, non-irritant & without red list chemical binders.
- Recycled and recyclable.
- 10 years warranty.

### CARE

- Easy to clean with a damp cloth or vacuum cleaner.
- Indoor use only.

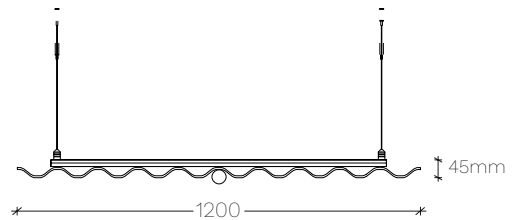
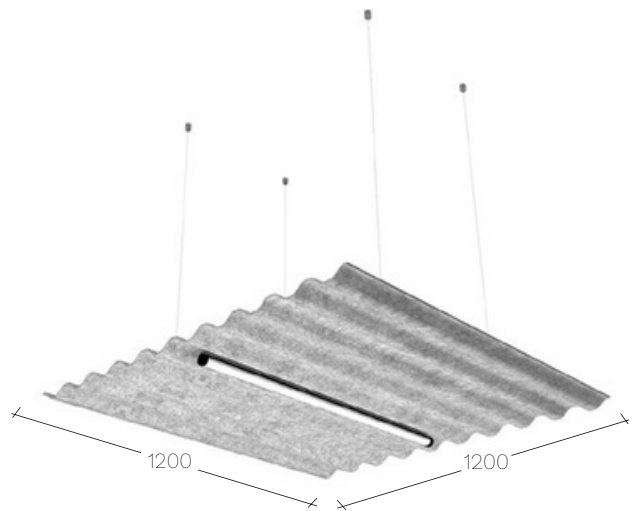
### INSTALLATION

- Designed for easy assembly with adjustable ceiling mount units.



### DIMENSIONS (MM):

L: 1200mm	Lamp Dimension
W: 1200mm	L: 1000mm
H: 45mm	Ø: 30mm



Light Source Specifications	
Wattage	22W
Input Voltage	220 - 240V AC
Input Frequency	50 / 60 Hz
Lumen Output	2090lm
Color Temperature	2700K, 3000K, 4000K
Color Rendering Index	90CRI
Unified Glare Rating	-
Control Type	Standard On/Off
Dimmable (Optional)	DALI, Push Dim, Bluetooth options
Lighting Type	Direct Lighting

# VERTIGO CLOUD LIGHTING 1200x2400 - DOUBLE

# NGA

## SPECIFICATION:

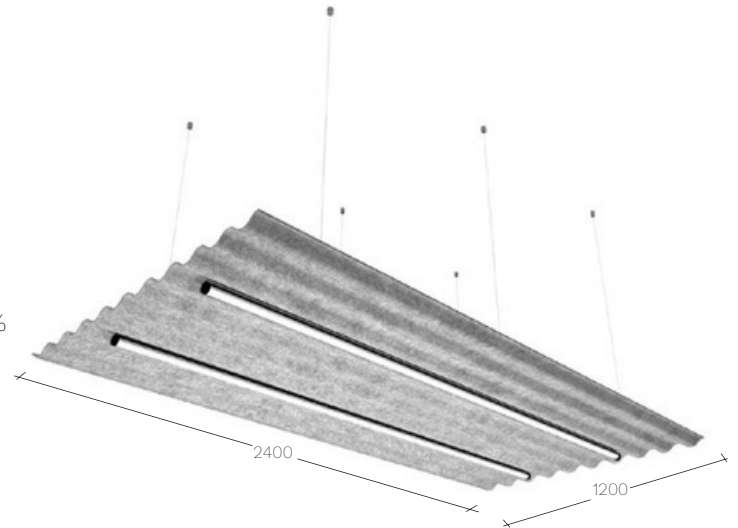
- Composition: 100 % polyester (recycled PET appx. 50 %)
- Material Weight: 1300g /m<sup>2</sup> (+/- 5 %)
- Material Thickness: 6mm Natural & Mandarin colours (+/- 10 %)
- Panel Weight: Natural: 13,63 kg / per pcs. (+/-5%)  
Mandarin: 14,34 kg / per pcs. (+/-5%)

## DIMENSIONS (MM):

- |           |                |
|-----------|----------------|
| L: 2400mm | Lamp Dimension |
| W: 1200mm | L: 2100mm      |
| H: 45mm   | Ø: 30mm        |

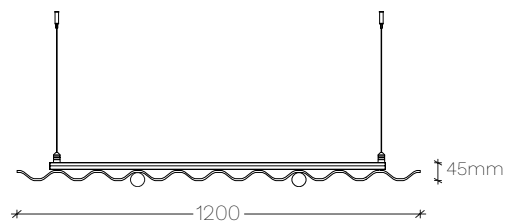
## PERFORMANCE

- Acoustic Rates: 3,46 Sabin (m ) 250-4000Hz
- Fire Rates: B, S1, d0 (EN-13501)
- Light fastness: 6+ (ISO-105 B02)
- Health : 99,9 % Antibacterial (ISO-20743)
- Formaldehyde-free (ISO-14184)
- Moisture Absorption: >0.03 % by weight (50°C/122°F at 90% relative humidity)
- Thermal insulating: 0,040 W/mK
- Abrasion: EN ISO 12947 / Performance 'A'



## KEY FEATURES & BENEFITS

- Available in 7 Natural colors & 34 Mandarin colors.
- Highly durable providing long-term stability and performance.
- Safe, non-toxic, non-irritant & without red list chemical binders.
- Recycled and recyclable.
- 10 years warranty.

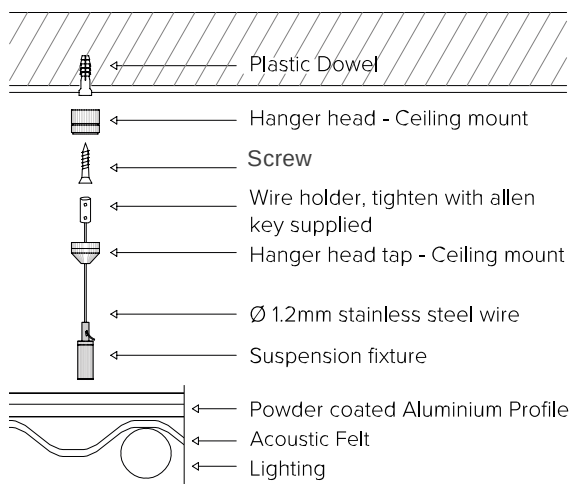


## CARE

- Easy to clean with a damp cloth or vacuum cleaner.
- Indoor use only.

## INSTALLATION

- Designed for easy assembly with adjustable ceiling mount units.



Light Source Specifications	
Wattage	88W
Input Voltage	220 - 240V AC
Input Frequency	50 / 60 Hz
Lumen Output	8360lm
Color Temperature	2700K, 3000K, 4000K
Color Rendering Index	90CRI
Unified Glare Rating	-
Control Type	Standard On/Off
Dimmable (Optional)	DALI, Push Dim, Bluetooth options
Lighting Type	Direct Lighting

# VERTIGO CLOUD LIGHTING 1200x2400 SINGLE

# NGA

## SPECIFICATION:

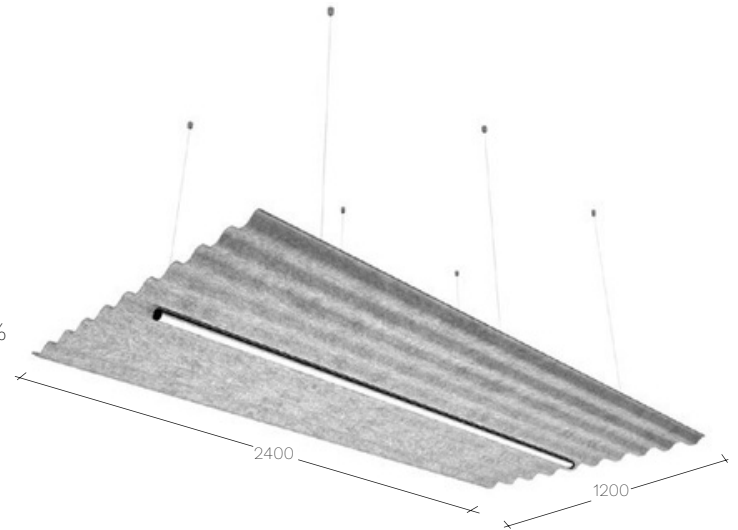
- Composition: 100 % polyester (recycled PET appx. 50 %) Material
- Weight: 1300g /m<sup>2</sup> (+/- 5 %)
- Material Thickness: 6mm Natural & Mandarin colours (+/- 10 %)
- Panel Weight: Natural: 13,63 kg / per pcs. (+/-5%)  
Mandarin: 14,34 kg / per pcs. (+/-5%)

## DIMENSIONS (MM):

- |           |                |
|-----------|----------------|
| L: 2400mm | Lamp Dimension |
| W: 1200mm | L: 2100mm      |
| H: 45mm   | Ø: 30mm        |

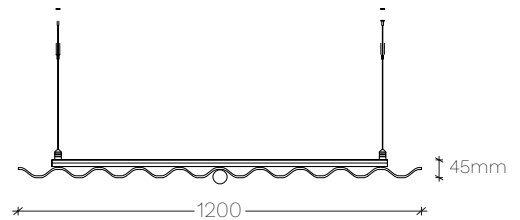
## PERFORMANCE

- Acoustic Rates: 3,46 Sabin (m ) 250-4000Hz
- Fire Rates: B, S1, d0 (EN-13501)
- Light fastness: 6+ (ISO-105 B02)
- Health : 99,9 % Antibacterial (ISO-20743)
- Formaldehyde-free (ISO-14184)
- Moisture Absorption: >0.03 % by weight (50°C/122°F at 90% relative humidity)
- Thermal insulating: 0,040 W/mK
- Abrasion: EN ISO 12947 / Performance 'A'



## KEY FEATURES & BENEFITS

- Available in 7 Natural colors & 34 Mandarin colors.
- Highly durable providing long-term stability and performance.
- Safe, non-toxic, non-irritant & without red list chemical binders.
- Recycled and recyclable.
- 10 years warranty.

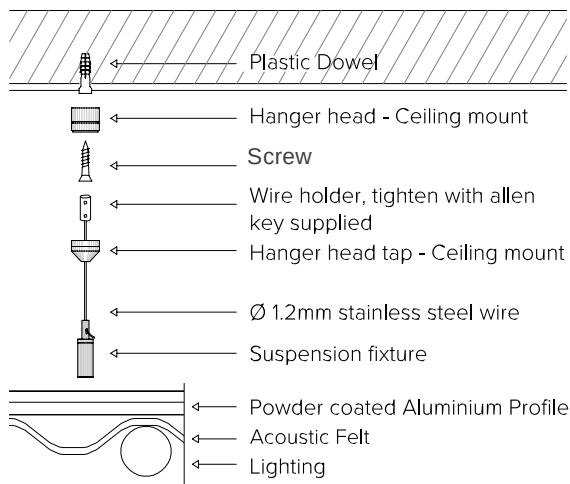


## CARE

- Easy to clean with a damp cloth or vacuum cleaner.
- Indoor use only.

## INSTALLATION

- Designed for easy assembly with adjustable ceiling mount units.



Light Source Specifications	
Wattage	44W
Input Voltage	220 - 240V AC
Input Frequency	50 / 60 Hz
Lumen Output	4180lm
Color Temperature	2700K, 3000K, 4000K
Color Rendering Index	90CRI
Unified Glare Rating	-
Control Type	Standard On/Off
Dimmable (Optional)	DALI, Push Dim, Bluetooth options
Lighting Type	Direct Lighting