

TOPOLIGHT - Ø600

SPECIFICATION

- Composition: 100 % polyester (recycled PET appx. 50 %)
- Material Weight: 1300g /m² (+/- 5 %)
- Material Thickness: 6mm Natural & Mandarin colors (+/- 10 %)
- Product Weight: Natural: 0,55 kg / per pcs. (+/-5 %)
Mandarin: 0,79 kg / per pcs. (+/-5 %)

LIGHT SOURCE SPECIFICATION

- Frequency: AC 50 Hz
- IP Rating: IP 20
- Classification: Class II
- Watt: 26W
- LED Life: 20.000 Hour
- Colour Code: Day Light 3000K
- Cable Length: 200 cm
- Cable Set Colour: Black & White colour

PERFORMANCE

- Fire Rates: B, S1, d0 (EN-13501)
- Light fastness: 6+ (ISO-105 B02)
- Health : 99.9 % Antibacterial (ISO-20743)
- Formaldehyde-free (ISO-14184)
- Moisture Absorption: >0.03 % by weight (50°C/122°F at 90% relative humidity)
- Thermal insulating: 0,040 W/mK
- Abrasion: EN ISO 12947 / Performance 'A'

KEY FEATURES & BENEFITS

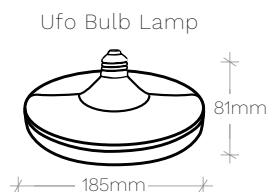
- Available in 7 Natural colors & 34 Mandarin colors.
- Highly durable providing long-term stability and performance.
- Safe, non-toxic, non-irritant & without red list chemical binders.
- Recycled and recyclable.
- 10 years warranty.

CARE

- Easy to clean with a damp cloth or vacuum cleaner.
- Indoor use only.

INSTALLATION

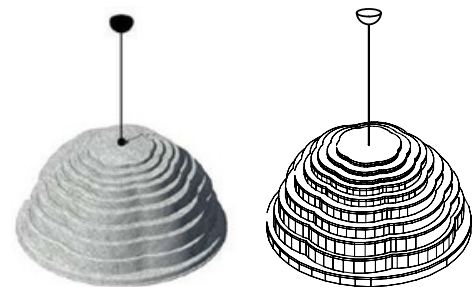
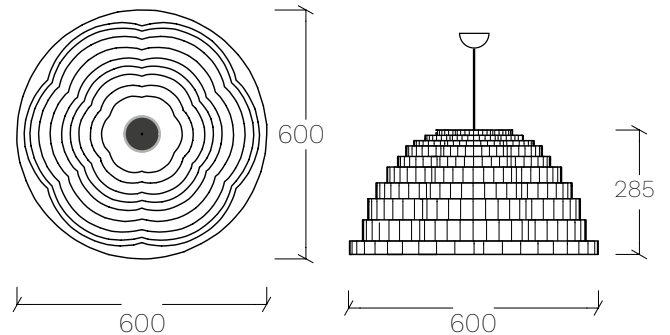
- Ufo LED Bulb-E27
Socket



DIMENSIONS (MM):

Ø: 600mm
H: 285mm

Lighting Fixture:
Ø: 150mm



*** NG 100 Topolight 900 and NG 1100 Topolight 600 are available with Mandarin colors on outer surface only

TOPOLIGHT - Ø900

NGA

SPECIFICATION

- Composition: 100 % polyester (recycled PET appx. 50 %)
- Material Weight: 1300g /m² (+/- 5 %)
- Material Thickness: 6mm Natural & Mandarin colours (+/- 10 %)
- Product Weight: Natural: 1,43 kg / per pcs. (+/- 5 %)
Mandarin: 0,79 kg / per pcs. (+/- 5 %)

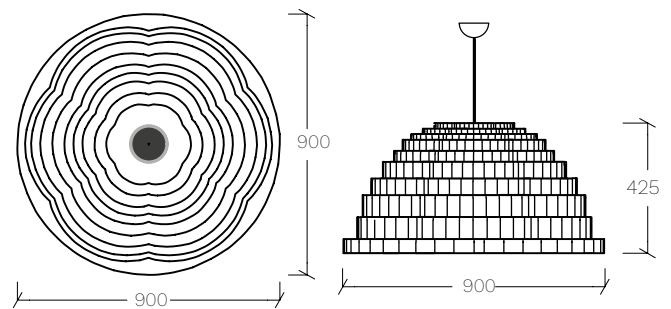
DIMENSIONS (MM):

Ø: 900mm
H: 425mm

Lighting Fixture:
Ø: 150mm

LIGHT SOURCE SPECIFICATION

- Frequency: AC 50 Hz
- IP Rating: IP 20
- Classification: Class II
- Watt: 26W
- LED Life: 20.000 Hour
- Colour Temperature 3000K
- Cable Length: 200 cm
- Cable Set Colour: Black & White



PERFORMANCE

- Fire Rates: B, S1, d0 (EN-13501)
- Light fastness: 6+ (ISO-105 B02)
- Health : 99.9 % Antibacterial (ISO-20743)
- Formaldehyde-free (ISO-14184)
- Moisture Absorption: >0.03 % by weight (50°C/122°F at 90% relative humidity)
- Thermal insulating: 0,040 W/mK
- Abrasion: EN ISO 12947 / Performance 'A'

KEY FEATURES & BENEFITS

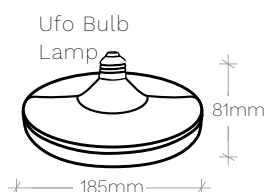
- Available in 7 Natural colors & 34 Mandarin colors.
- Highly durable providing long-term stability and performance.
- Safe, non-toxic, non-irritant & without red list chemical binders.
- Recycled and recyclable.
- 10 years warranty.

CARE

- Easy to clean with a damp cloth or vacuum cleaner.
- Indoor use only.

INSTALLATION

- Ufo LED Bulb-E27
Socket



*** NG 100 Topolight 900 and NG 110 Topolight 600 are available with Mandarin colours on outer surface only