

FLAT CLOUD LIGHTING RECTANGLE 600X1200

Flat Cloud models of the Plativity Collection provide a wide range of colours and dimensions with ease of use. The product makes it the ideal and simple acoustic solution for commercial, hospitality, educational and institutional projects. Flat Cloud can be placed above workstations, meeting tables, and collaboration areas. Flat Cloud brings great benefits for the treatment of sound reverberation with an easy install hanging solutions.

SPECIFICATION

- Composition: 100 % polyester (recycled PET appx. 50 %) Material
- Weight: 12mm: 2600g /m² (+/- 5 %)
- Material Thickness: 12mm Natural & Mandarin colors (+/- 10 %)
- Panel Weight: Natural: 5,01 kg / per pcs. (+/-5 %)
Mandarin: 5,27 kg / per pcs. (+/-5 %)

PERFORMANCE

- Acoustic Rates: 0,80 Sabin (m²) 250-4000Hz
- Fire Rates: B, S1, d0 (EN-13501)
- Light fastness: 6+ (ISO-105 B02)
- Health : 99.9 % Antibacterial (ISO-20743)
- Formaldehyde-free (ISO-14184)
- Moisture Absorption: >0.03 % by weight (50°C/122°F at 90% relative humidity)
- Thermal insulating: 0,040 W/mK
- Abrasion: EN ISO 12947 / Performance 'A'

KEY FEATURES & BENEFITS

- Available in 7 Natural colors & 34 Mandarin colors.
- Highly durable providing long-term stability and performance.
- Safe, non-toxic, non-irritant & without red list chemical binders.
- Recycled and recyclable.
- 10 years warranty.

CARE

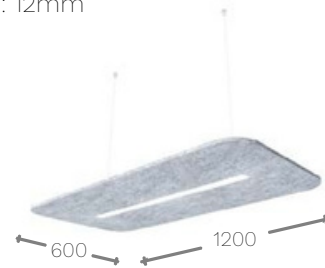
- Easy to clean with a damp cloth or vacuum cleaner.
- Indoor use only.

INSTALLATION

- Designed for easy assembly with adjustable ceiling mount units.

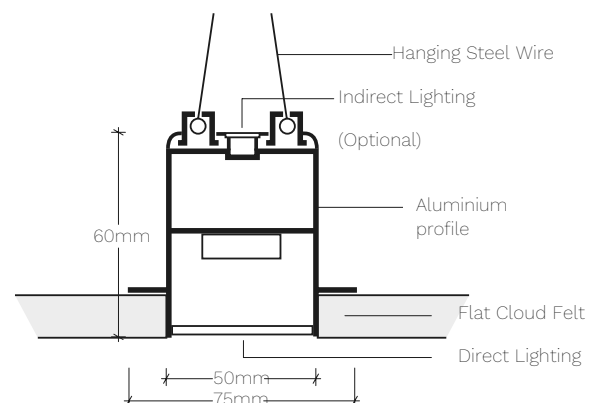
DIMENSIONS (MM):

W: 600mm
L: 1200mm
Thickness: 12mm



LIGHT SOURCE SPECIFICATIONS	
Wattage	20W
Input Voltage	220 - 240V AC
Input Frequency	50 / 60 Hz
Lumen Output	2100lm
Color Temperature	2700K, 3000K, 4000K
Color Rendering Index	90CRI
Unified Glare Rating	-
Control Type	Standard On/Off
Dimmable (Optional)	DALI, Push Dim, Bluetooth options
Lighting Type	Direct Lighting / Indirect Lighting

Flat Cloud Lighting Details



FLAT CLOUD LIGHTING - RECTANGLE 600X2400

NGA

Flat Cloud models of the Plativity Collection provide a wide range of colours and dimensions with ease of use. The product makes it the ideal and simple acoustic solution for commercial, hospitality, educational and institutional projects. Flat Cloud can be placed above workstations, meeting tables, and collaboration areas. Flat Cloud brings great benefits for the treatment of sound reverberation with an easy install hanging solutions.

SPECIFICATION

- Composition: 100 % polyester (recycled PET appx. 50 %)
- Material Weight: 12mm: 2600g /m² (+/- 5 %)
- Material Thickness: 12mm Natural & Mandarin colors (+/- 10 %)
- Panel Weight: Natural: 9,23 kg / per pcs. (+/- 5 %)
Mandarin: 9,74 kg / per pcs. (+/- 5 %)

PERFORMANCE

- Acoustic Rates: 0,80 Sabin (m²) 250-4000Hz
- Fire Rates: B, S1, d0 (EN-13501)
- Light fastness: 6+ (ISO-105 B02)
- Health : 99.9 % Antibacterial (ISO-20743)
- Formaldehyde-free (ISO-14184)
- Moisture Absorption: >0.03 % by weight (50°C/122°F at 90% relative humidity)
- Thermal insulating: 0,040 W/mK
- Abrasion: EN ISO 12947 / Performance 'A'

KEY FEATURES & BENEFITS

- Available in 7 Natural colors & 34 Mandarin colors.
- Highly durable providing long-term stability and performance.
- Safe, non-toxic, non-irritant & without red list chemical binders.
- Recycled and recyclable.
- 10 years warranty.

CARE

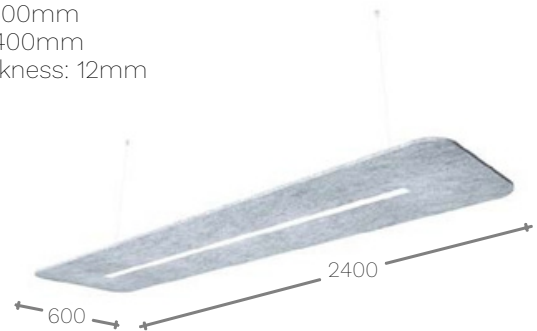
- Easy to clean with a damp cloth or vacuum cleaner.
- Indoor use only.

INSTALLATION

- Designed for easy assembly with adjustable ceiling mount units.

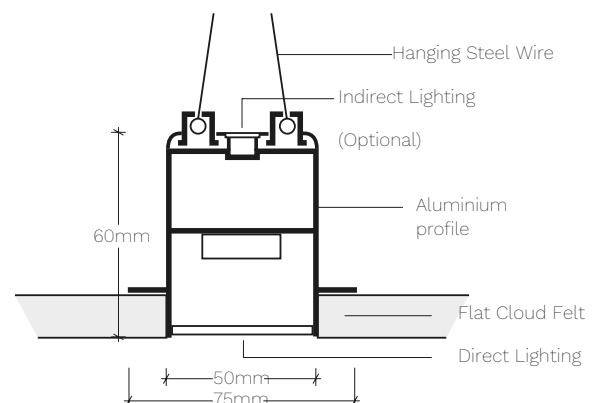
DIMENSIONS (MM):

W: 600mm
L: 2400mm
Thickness: 12mm



LIGHT SOURCE SPECIFICATIONS	
Wattage	43W
Input Voltage	220 - 240V AC
Input Frequency	50 / 60 Hz
Lumen Output	4463lm
Color Temperature	2700K, 3000K, 4000K
Color Rendering Index	90CRI
Unified Glare Rating	-
Control Type	Standard On/Off
Dimmable (Optional)	DALI, Push Dim, Bluetooth options
Lighting Type	Direct Lighting / Indirect Lighting

Flat Cloud Lighting Details



FLAT CLOUD LIGHTING RECTANGLE 700x900

Flat Cloud models of the Plativity Collection provide a wide range of colours and dimensions with ease of use. The product makes it the ideal and simple acoustic solution for commercial, hospitality, educational and institutional projects. Flat Cloud can be placed above workstations, meeting tables, and collaboration areas. Flat Cloud brings great benefits for the treatment of sound reverberation with an easy install hanging solutions.

SPECIFICATION

- Composition: 100 % polyester (recycled PET appx. 50 %)
- Material Weight: 12mm: 2600g /m² (+/- 5 %)
- Material Thickness: 12mm Natural & Mandarin colors (+/- 10 %)
- Panel Weight: Natural: 4,21 kg / per pcs. (+/-5 %)
Mandarin: 4,43 kg / per pcs. (+/-5 %)

PERFORMANCE

- Acoustic Rates: 0,80 Sabin (m²) 250-4000Hz
- Fire Rates: B, S1, d0 (EN-13501)
- Light fastness: 6+ (ISO-105 B02)
- Health : 99,9 % Antibacterial (ISO-20743)
- Formaldehyde-free (ISO-14184)
- Moisture Absorption: >0.03 % by weight (50°C/122°F at 90% relative humidity)
- Thermal insulating: 0,040 W/mK
- Abrasion: EN ISO 12947 / Performance 'A'

KEY FEATURES & BENEFITS

- Available in 7 Natural colors & 34 Mandarin colors.
- Highly durable providing long-term stability and performance.
- Safe, non-toxic, non-irritant & without red list chemical binders.
- Recycled and recyclable.
- 10 years warranty.

CARE

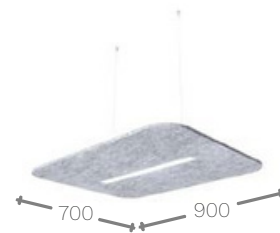
- Easy to clean with a damp cloth or vacuum cleaner.
- Indoor use only.

INSTALLATION

- Designed for easy assembly with adjustable ceiling mount units.

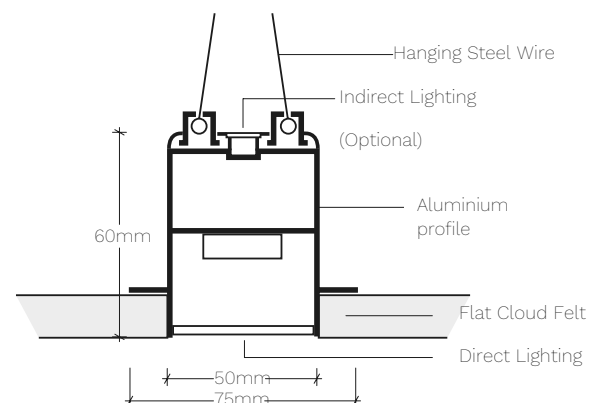
DIMENSIONS (MM):

W: 700mm
L: 900mm
Thickness: 12mm



LIGHT SOURCE SPECIFICATIONS	
Wattage	12W
Input Voltage	220 - 240V AC
Input Frequency	50 / 60 Hz
Lumen Output	1260lm
Color Temperature	2700K, 3000K, 4000K
Color Rendering Index	90CRI
Unified Glare Rating	-
Control Type	Standard On/Off
Dimmable (Optional)	DALI, Push Dim, Bluetooth options
Lighting Type	Direct Lighting / Indirect Lighting

Flat Cloud Lighting Details



FLAT CLOUD LIGHTING RECTANGLE 700x1800



Flat Cloud models of the Plativity Collection provide a wide range of colours and dimensions with ease of use. The product makes it the ideal and simple acoustic solution for commercial, hospitality, educational and institutional projects. Flat Cloud can be placed above workstations, meeting tables, and collaboration areas. Flat Cloud brings great benefits for the treatment of sound reverberation with an easy install hanging solutions.

SPECIFICATION

- Composition: 100 % polyester (recycled PET appx. 50 %)
- Material Weight: 12mm: 2600g /m² (+/- 5 %)
- Material Thickness: 12mm Natural & Mandarin colours (+/- 10 %)
- Panel Weight: Natural: 7,34 kg / per pcs. (+/-5 %)
Mandarin: 7,78 kg / per pcs. (+/-5 %)

PERFORMANCE

- Acoustic Rates: 0,80 Sabin (m²) 250-4000Hz
- Fire Rates: B, S1, d0 (EN-13501)
- Light fastness: 6+ (ISO-105 B02)
- Health : 99,9 % Antibacterial (ISO-20743)
- Formaldehyde-free (ISO-14184)
- Moisture Absorption: >0.03 % by weight (50°C/122°F at 90% relative humidity)
- Thermal insulating: 0,040 W/mK
- Abrasion: EN ISO 12947 / Performance 'A'

KEY FEATURES & BENEFITS

- Available in 7 Natural colors & 34 Mandarin colors.
- Highly durable providing long-term stability and performance.
- Safe, non-toxic, non-irritant & without red list chemical binders.
- Recycled and recyclable.
- 10 years warranty.

CARE

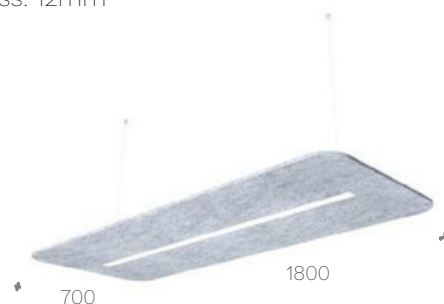
- Easy to clean with a damp cloth or vacuum cleaner.
- Indoor use only.

INSTALLATION

- Designed for easy assembly with adjustable ceiling mount units.

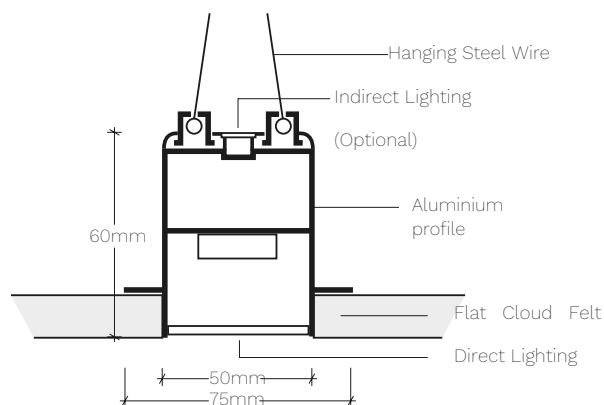
DIMENSIONS (MM):

W: 700mm
L: 1800mm
Thickness: 12mm



LIGHT SOURCE SPECIFICATIONS	
Wattage	24W
Input Voltage	220 - 240V AC
Input Frequency	50 / 60 Hz
Lumen Output	2520lm
Color Temperature	2700K, 3000K, 4000K
Color Rendering Index	90CRI
Unified Glare Rating	-
Control Type	Standard On/Off
Dimmable (Optional)	DALI, Push Dim, Bluetooth options
Lighting Type	Direct Lighting / Indirect Lighting

Flat Cloud Lighting Details



FLAT CLOUD LIGHTING RECTANGLE 900x1400

NGA

Flat Cloud models of the Plativity Collection provide a wide range of colours and dimensions with ease of use. The product makes it the ideal and simple acoustic solution for commercial, hospitality, educational and institutional projects. Flat Cloud can be placed above workstations, meeting tables, and collaboration areas. Flat Cloud brings great benefits for the treatment of sound reverberation with an easy install hanging solutions.

SPECIFICATION

- Composition: 100 % polyester (recycled PET appx. 50 %) Material
- Weight: 12mm: 2600g /m² (+/- 5 %)
- Material Thickness: 12mm Natural & Mandarin colours (+/- 10 %)
- Panel Weight: Natural: 6,78 kg / per pcs. (+/- 5 %)
Mandarin: 7,22 kg / per pcs. (+/- 5 %)

PERFORMANCE

- Acoustic Rates: 0,80 Sabin (m²) 250-4000Hz
- Fire Rates: B, S1, d0 (EN-13501)
- Light fastness: 6+ (ISO-105 B02)
- Health : 99,9 % Antibacterial (ISO-20743)
- Formaldehyde-free (ISO-14184)
- Moisture Absorption: >0.03 % by weight (50°C/122°F at 90% relative humidity)
- Thermal insulating: 0,040 W/mK
- Abrasion: EN ISO 12947 / Performance 'A'

KEY FEATURES & BENEFITS

- Available in 7 Natural colors & 34 Mandarin colors.
- Highly durable providing long-term stability and performance.
- Safe, non-toxic, non-irritant & without red list chemical binders.
- Recycled and recyclable.
- 10 years warranty.

CARE

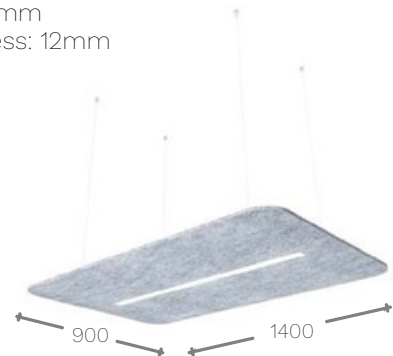
- Easy to clean with a damp cloth or vacuum cleaner.
- Indoor use only.

INSTALLATION

- Designed for easy assembly with adjustable ceiling mount units.

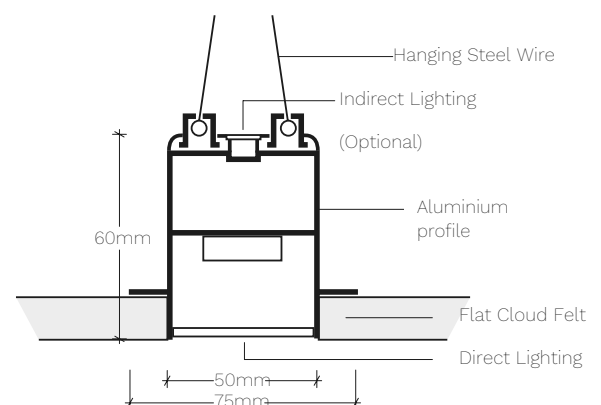
DIMENSIONS (MM):

W: 900mm
L: 1400mm
Thickness: 12mm



LIGHT SOURCE SPECIFICATIONS	
Wattage	20W
Input Voltage	220 - 240V AC
Input Frequency	50 / 60 Hz
Lumen Output	2100lm
Color Temperature	2700K, 3000K, 4000K
Color Rendering Index	90CRI
Unified Glare Rating	-
Control Type	Standard On/Off
Dimmable (Optional)	DALI, Push Dim, Bluetooth options
Lighting Type	Direct Lighting / Indirect Lighting

Flat Cloud Lighting Details



FLAT CLOUD LIGHTING SQUARE 1200x1200



Flat Cloud models of the Plativity Collection provide a wide range of colours and dimensions with ease of use. The product makes it the ideal and simple acoustic solution for commercial, hospitality, educational and institutional projects. Flat Cloud can be placed above workstations, meeting tables, and collaboration areas. Flat Cloud brings great benefits for the treatment of sound reverberation with an easy install hanging solutions.

SPECIFICATION

- Composition: 100 % polyester (recycled PET appx. 50 %) Material
- Weight: 12mm: 2600g /m² (+/- 5 %)
- Material Thickness: 12mm Natural & Mandarin colors (+/- 10 %)
- Panel Weight: Natural: 7,33 kg / per pcs. (+/-5 %)
Mandarin: 7,83 kg / per pcs. (+/-5 %)

PERFORMANCE

- Acoustic Rates: 0,80 Sabin (m²) 250-4000Hz
- Fire Rates: B, S1, d0 (EN-13501)
- Light fastness: 6+ (ISO-105 B02)
- Health : 99,9 % Antibacterial (ISO-20743)
- Formaldehyde-free (ISO-14184)
- Moisture Absorption: >0.03 % by weight (50°C/122°F at 90% relative humidity)
- Thermal insulating: 0,040 W/mK
- Abrasion: EN ISO 12947 / Performance 'A'

KEY FEATURES & BENEFITS

- Available in 7 Natural colors & 34 Mandarin colors.
- Highly durable providing long-term stability and performance.
- Safe, non-toxic, non-irritant & without red list chemical binders.
- Recycled and recyclable.
- 10 years warranty.

CARE

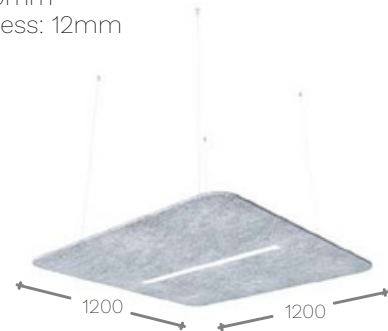
- Easy to clean with a damp cloth or vacuum cleaner.
- Indoor use only.

INSTALLATION

- Designed for easy assembly with adjustable ceiling mount units.

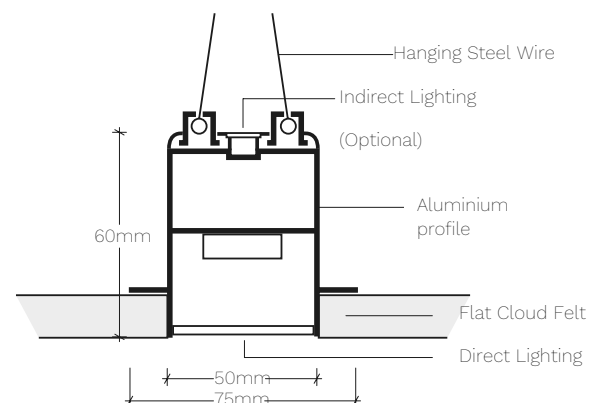
DIMENSIONS (MM):

W: 1200mm
L: 1200mm
Thickness: 12mm



LIGHT SOURCE SPECIFICATIONS	
Wattage	20W
Input Voltage	220 - 240V AC
Input Frequency	50 / 60 Hz
Lumen Output	2100lm
Color Temperature	2700K, 3000K, 4000K
Color Rendering Index	90CRI
Unified Glare Rating	-
Control Type	Standard On/Off
Dimmable (Optional)	DALI, Push Dim, Bluetooth options
Lighting Type	Direct Lighting / Indirect Lighting

Flat Cloud Lighting Details



FLAT CLOUD LIGHTING RECTANGLE DOUBLE 1200x2400



Flat Cloud models of the Plativity Collection provide a wide range of colours and dimensions with ease of use. The product makes it the ideal and simple acoustic solution for commercial, hospitality, educational and institutional projects. Flat Cloud can be placed above workstations, meeting tables, and collaboration areas. Flat Cloud brings great benefits for the treatment of sound reverberation with an easy install hanging solutions.

SPECIFICATION

- Composition: 100 % polyester (recycled PET appx. 50 %)
- Material Weight: 12mm: 2600g /m² (+/- 5 %)
- Material Thickness: 12mm Natural & Mandarin colours (+/- 10 %)
- Panel Weight: Natural: kg / per pcs. (+/-5 %)
Mandarin: kg / per pcs. (+/-5 %)

PERFORMANCE

- Acoustic Rates: 0,80 Sabin (m²) 250-4000Hz
- Fire Rates: B, S1, d0 (EN-13501)
- Light fastness: 6+ (ISO-105 B02)
- Health : 99,9 % Antibacterial (ISO-20743)
- Formaldehyde-free (ISO-14184)
- Moisture Absorption: >0.03 % by weight (50°C/122°F at 90% relative humidity)
- Thermal insulating: 0,040 W/mK
- Abrasion: EN ISO 12947 / Performance 'A'

KEY FEATURES & BENEFITS

- Available in 7 Natural colours & 34 Mandarin colours.
- Highly durable providing long-term stability and performance.
- Safe, non-toxic, non-irritant & without red list chemical binders.
- Recycled and recyclable.
- 10 years warranty.

CARE

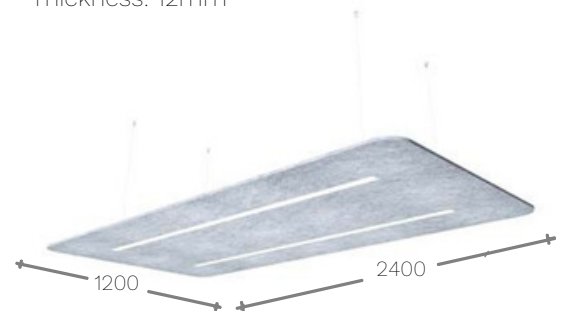
- Easy to clean with a damp cloth or vacuum cleaner.
- Indoor use only.

INSTALLATION

- Designed for easy assembly with adjustable ceiling mount units.

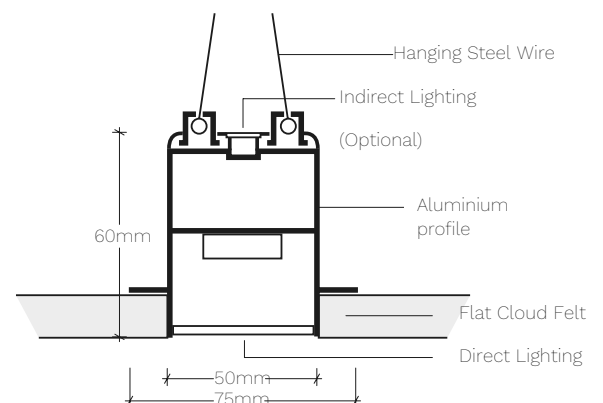
DIMENSIONS (MM):

W: 1200mm
L: 2400mm
Thickness: 12mm



LIGHT SOURCE SPECIFICATIONS	
Wattage	48W
Input Voltage	220 - 240V AC
Input Frequency	50 / 60 Hz
Lumen Output	5040lm
Color Temperature	2700K, 3000K, 4000K
Color Rendering Index	90CRI
Unified Glare Rating	-
Control Type	Standard On/Off
Dimmable (Optional)	DALI, Push Dim, Bluetooth options
Lighting Type	Direct Lighting / Indirect Lighting

Flat Cloud Lighting Details



FLAT CLOUD LIGHTING SINGLE 1200x2400



Flat Cloud models of the Plativity Collection provide a wide range of colours and dimensions with ease of use. The product makes it the ideal and simple acoustic solution for commercial, hospitality, educational and institutional projects. Flat Cloud can be placed above workstations, meeting tables, and collaboration areas. Flat Cloud brings great benefits for the treatment of sound reverberation with an easy install hanging solutions.

SPECIFICATION

- Composition: 100 % polyester (recycled PET appx. 50 %)
- Material Weight: 12mm: 2600g /m² (+/- 5 %)
- Material Thickness: 12mm Natural & Mandarin colors (+/- 10 %)
- Panel Weight: Natural: kg / per pcs. (+/-5 %)
Mandarin: kg / per pcs. (+/-5 %)

PERFORMANCE

- Acoustic Rates: 0,80 Sabin (m²) 250-4000Hz
- Fire Rates: B, S1, d0 (EN-13501)
- Light fastness: 6+ (ISO-105 B02)
- Health : 99,9 % Antibacterial (ISO-20743)
- Formaldehyde-free (ISO-14184)
- Moisture Absorption: >0.03 % by weight (50°C/122°F at 90% relative humidity)
- Thermal insulating: 0,040 W/mK
- Abrasion: EN ISO 12947 / Performance 'A'

KEY FEATURES & BENEFITS

- Available in 7 Natural colors & 34 Mandarin colors.
- Highly durable providing long-term stability and performance. Safe,
- non-toxic, non-irritant & without red list chemical binders.
- Recycled and recyclable.
- 10 years warranty.

CARE

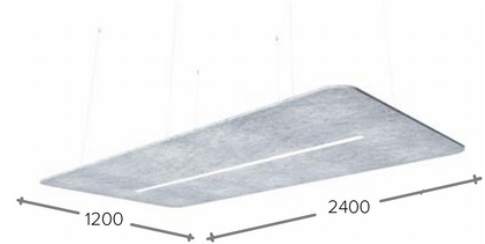
- Easy to clean with a damp cloth or vacuum cleaner.
- Indoor use only.

INSTALLATION

- Designed for easy assembly with adjustable ceiling mount units.

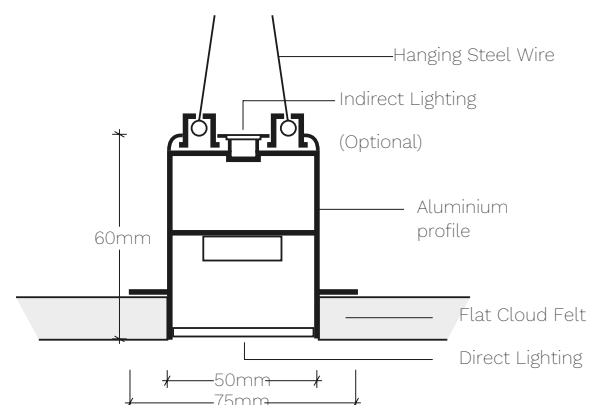
DIMENSIONS (MM):

W: 1200mm
L: 2400mm
Thickness: 12mm



LIGHT SOURCE SPECIFICATIONS	
Wattage	20W
Input Voltage	220 - 240V AC
Input Frequency	50 / 60 Hz
Lumen Output	2100lm
Color Temperature	2700K, 3000K, 4000K
Color Rendering Index	90CRI
Unified Glare Rating	-
Control Type	Standard On/Off
Dimmable (Optional)	DALI, Push Dim, Bluetooth options
Lighting Type	Direct Lighting / Indirect Lighting

Flat Cloud Lighting Details



FLAT CLOUD LIGHTING

RECTANGLE DOUBLE - 1400x1800



Flat Cloud models of the Plativity Collection provide a wide range of colors and dimensions with ease of use. The product makes it the ideal and simple acoustic solution for commercial, hospitality, educational and institutional projects. Flat Cloud can be placed above workstations, meeting tables, and collaboration areas. Flat Cloud brings great benefits for the treatment of sound reverberation with an easy install hanging solutions.

SPECIFICATION

- Composition: 100 % polyester (recycled PET appx. 50 %)
- Material Weight: 12mm: 2600g /m² (+/- 5 %)
- Material Thickness: 12mm Natural & Mandarin colours (+/- 10 %)
- Panel Weight: Natural: 13,02 kg / per pcs. (+/-5 %)
Mandarin: 13,90 kg / per pcs. (+/-5 %)

PERFORMANCE

- Acoustic Rates: 0,80 Sabin (m²) 250-4000Hz
- Fire Rates: B, S1, d0 (EN-13501)
- Light fastness: 6+ (ISO-105 B02)
- Health : 99,9 % Antibacterial (ISO-20743)
- Formaldehyde-free (ISO-14184)
- Moisture Absorption: >0.03 % by weight (50°C/122°F at 90% relative humidity)
- Thermal insulating: 0,040 W/mK
- Abrasion: EN ISO 12947 / Performance 'A'

KEY FEATURES & BENEFITS

- Available in 7 Natural colors & 34 Mandarin colors.
- Highly durable providing long-term stability and performance. Safe, non-toxic, non-irritant & without red list chemical binders. Recycled and recyclable.
- 10 years warranty.

CARE

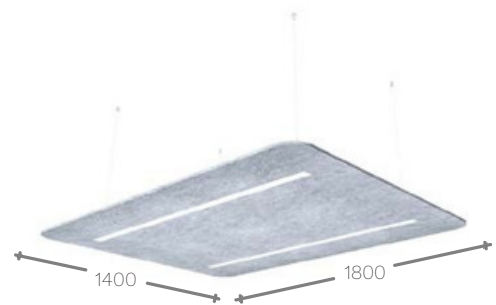
- Easy to clean with a damp cloth or vacuum cleaner.
- Indoor use only.

INSTALLATION

- Designed for easy assembly with adjustable ceiling mount units.

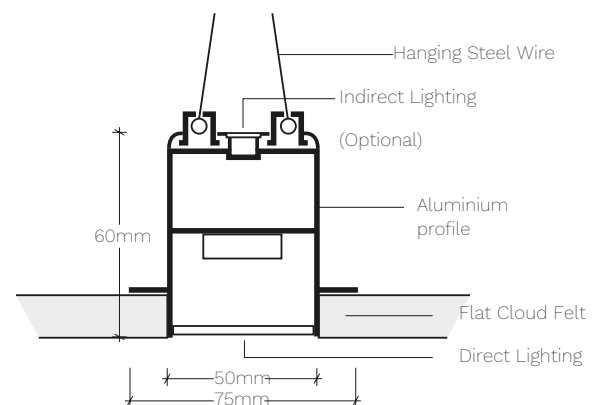
DIMENSIONS (MM):

W: 1400mm
L: 1800mm
Thickness: 12mm



LIGHT SOURCE SPECIFICATIONS	
Wattage	48W
Input Voltage	220 - 240V AC
Input Frequency	50 / 60 Hz
Lumen Output	5040lm
Color Temperature	2700K, 3000K, 4000K
Color Rendering Index	90CRI
Unified Glare Rating	-
Control Type	Standard On/Off
Dimmable (Optional)	DALI, Push Dim, Bluetooth options
Lighting Type	Direct Lighting / Indirect Lighting

Flat Cloud Lighting Details



FLAT CLOUD LIGHTING RECTANGLE SINGLE - 1400x1800



Flat Cloud models of the Plativity Collection provide a wide range of colors and dimensions with ease of use. The product makes it the ideal and simple acoustic solution for commercial, hospitality, educational and institutional projects. Flat Cloud can be placed above workstations, meeting tables, and collaboration areas. Flat Cloud brings great benefits for the treatment of sound reverberation with an easy install hanging solutions.

SPECIFICATION

- Composition: 100 % polyester (recycled PET appx. 50 %)
- Material Weight: 12mm: 2600g /m² (+/- 5 %)
- Material Thickness: 12mm Natural & Mandarin colors (+/- 10 %)
- Panel Weight: Natural: 13,02 kg / per pcs. (+/-5 %)
Mandarin: 13,90 kg / per pcs. (+/-5 %)

PERFORMANCE

- Acoustic Rates: 0,80 Sabin (m²) 250-4000Hz
- Fire Rates: B, S1, d0 (EN-13501)
- Light fastness: 6+ (ISO-105 B02)
- Health : 99,9 % Antibacterial (ISO-20743)
- Formaldehyde-free (ISO-14184)
- Moisture Absorption: >0.03 % by weight (50°C/122°F at 90% relative humidity)
- Thermal insulating: 0,040 W/mK
- Abrasion: EN ISO 12947 / Performance 'A'

KEY FEATURES & BENEFITS

- Available in 7 Natural colors & 34 Mandarin colors.
- Highly durable providing long-term stability and performance.
- Safe, non-toxic, non-irritant & without red list chemical binders.
- Recycled and recyclable.
- 10 years warranty.

CARE

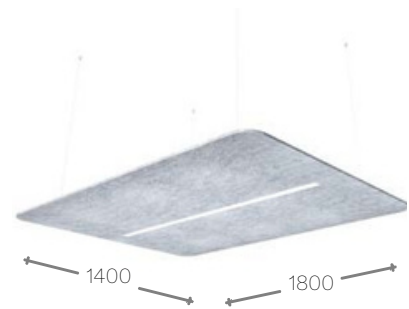
- Easy to clean with a damp cloth or vacuum cleaner.
- Indoor use only.

INSTALLATION

- Designed for easy assembly with adjustable ceiling mount units.

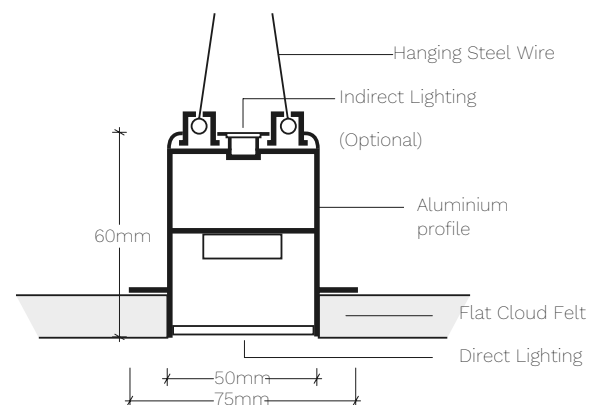
DIMENSIONS (MM):

W: 1400mm
L: 1800mm
Thickness: 12mm



LIGHT SOURCE SPECIFICATIONS	
Wattage	20W
Input Voltage	220 - 240V AC
Input Frequency	50 / 60 Hz
Lumen Output	2100lm
Color Temperature	2700K, 3000K, 4000K
Color Rendering Index	90CRI
Unified Glare Rating	-
Control Type	Standard On/Off
Dimmable (Optional)	DALI, Push Dim, Bluetooth options
Lighting Type	Direct Lighting / Indirect Lighting

Flat Cloud Lighting Details



FLAT CLOUD LIGHTING CIRCLE - Ø600



Flat Cloud models of the Plativity Collection provide a wide range of colours and dimensions with ease of use. The product makes it the ideal and simple acoustic solution for commercial, hospitality, educational and institutional projects. Flat Cloud can be placed above workstations, meeting tables, and collaboration areas. Flat Cloud brings great benefits for the treatment of sound reverberation with an easy install hanging solutions.

SPECIFICATION

- Composition: 100 % polyester (recycled PET appx. 50 %)
- Material Weight: 12mm: 2600g /m² (+/- 5 %)
- Material Thickness: 12mm Natural & Mandarin colors (+/- 10 %)
- Panel Weight: Natural: kg / per pcs. (+/-5 %)
Mandarin: kg / per pcs. (+/-5 %)

PERFORMANCE

- Acoustic Rates: 0,80 Sabin (m²) 250-4000Hz
- Fire Rates: B, S1, d0 (EN-13501)
- Light fastness: 6+ (ISO-105 B02)
- Health : 99,9 % Antibacterial (ISO-20743)
- Formaldehyde-free (ISO-14184)
- Moisture Absorption: >0.03 % by weight (50°C/122°F at 90% relative humidity)
- Thermal insulating: 0,040 W/mK
- Abrasion: EN ISO 12947 / Performance 'A'

KEY FEATURES & BENEFITS

- Available in 7 Natural colors & 34 Mandarin colors.
- Highly durable providing long-term stability and performance.
- Safe, non-toxic, non-irritant & without red list chemical binders.
- Recycled and recyclable.
- 10 years warranty.

CARE

- Easy to clean with a damp cloth or vacuum cleaner.
- Indoor use only.

INSTALLATION

- Designed for easy assembly with adjustable ceiling mount units.

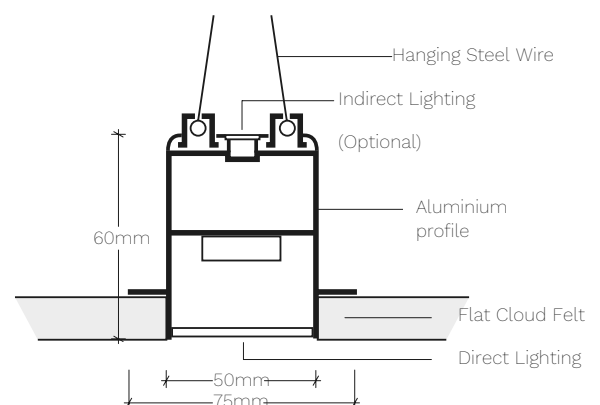
DIMENSIONS (MM):

Ø: 600mm
Thickness: 12mm



LIGHT SOURCE SPECIFICATIONS	
Wattage	20W
Input Voltage	220 - 240V AC
Input Frequency	50 / 60 Hz
Lumen Output	2100lm
Color Temperature	2700K, 3000K, 4000K
Color Rendering Index	90CRI
Unified Glare Rating	-
Control Type	Standard On/Off
Dimmable (Optional)	DALI, Push Dim, Bluetooth options
Lighting Type	Direct Lighting / Indirect Lighting

Flat Cloud Lighting Details



FLAT CLOUD LIGHTING CIRCLE - Ø800



Flat Cloud models of the Plativity Collection provide a wide range of colours and dimensions with ease of use. The product makes it the ideal and simple acoustic solution for commercial, hospitality, educational and institutional projects. Flat Cloud can be placed above workstations, meeting tables, and collaboration areas. Flat Cloud brings great benefits for the treatment of sound reverberation with an easy install hanging solutions.

SPECIFICATION

- Composition: 100 % polyester (recycled PET appx. 50 %)
- Material Weight: 12mm: 2600g /m² (+/- 5 %)
- Material Thickness: 12mm Natural & Mandarin colours (+/- 10 %)
- Panel Weight: Natural: kg / per pcs. (+/-5 %)
Mandarin: kg / per pcs. (+/-5 %)

PERFORMANCE

- Acoustic Rates: 0,80 Sabin (m²) 250-4000Hz
- Fire Rates: B, S1, d0 (EN-13501)
- Light fastness: 6+ (ISO-105 B02)
- Health : 99,9 % Antibacterial (ISO-20743)
- Formaldehyde-free (ISO-14184)
- Moisture Absorption: >0.03 % by weight (50°C/122°F at 90% relative humidity)
- Thermal insulating: 0,040 W/mK
- Abrasion: EN ISO 12947 / Performance 'A'

KEY FEATURES & BENEFITS

- Available in 7 Natural colours & 34 Mandarin colours.
- Highly durable providing long-term stability and performance.
- Safe, non-toxic, non-irritant & without red list chemical binders.
- Recycled and recyclable.
- 10 years warranty.

CARE

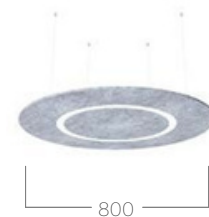
- Easy to clean with a damp cloth or vacuum cleaner.
- Indoor use only.

INSTALLATION

- Designed for easy assembly with adjustable ceiling mount units.

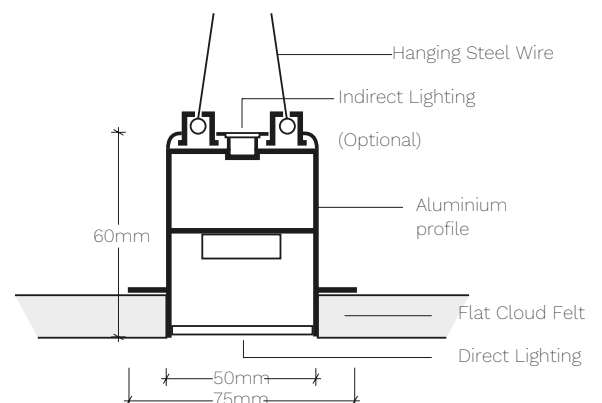
DIMENSIONS (MM):

Ø: 800mm
Thickness: 12mm



LIGHT SOURCE SPECIFICATIONS	
Wattage	34W
Input Voltage	220 - 240V AC
Input Frequency	50 / 60 Hz
Lumen Output	3230lm
Color Temperature	2700K, 3000K, 4000K
Color Rendering Index	90CRI
Unified Glare Rating	-
Control Type	Standard On/Off
Dimmable (Optional)	DALI, Push Dim, Bluetooth options
Lighting Type	Direct Lighting / Indirect Lighting

Flat Cloud Lighting Details



FLAT CLOUD LIGHTING CIRCLE - Ø1200



Flat Cloud models of the Plativity Collection provide a wide range of colours and dimensions with ease of use. The product makes it the ideal and simple acoustic solution for commercial, hospitality, educational and institutional projects. Flat Cloud can be placed above workstations, meeting tables, and collaboration areas. Flat Cloud brings great benefits for the treatment of sound reverberation with an easy install hanging solutions.

SPECIFICATION

- Composition: 100 % polyester (recycled PET appx. 50 %)
- Material Weight: 12mm: 2600g /m² (+/- 5 %)
- Material Thickness: 12mm Natural & Mandarin colours (+/- 10 %)
- Panel Weight: Natural: 4,21 kg / per pcs. (+/-5 %)
Mandarin: 4,43 kg / per pcs. (+/-5 %)

PERFORMANCE

- Acoustic Rates: 0,80 Sabin (m²) 250-4000Hz
- Fire Rates: B, S1, d0 (EN-13501)
- Light fastness: 6+ (ISO-105 B02)
- Health : 99,9 % Antibacterial (ISO-20743)
- Formaldehyde-free (ISO-14184)
- Moisture Absorption: >0.03 % by weight (50°C/122°F at 90% relative humidity)
- Thermal insulating: 0,040 W/mK
- Abrasion: EN ISO 12947 / Performance 'A'

KEY FEATURES & BENEFITS

- Available in 7 Natural colours & 34 Mandarin colours.
- Highly durable providing long-term stability and performance.
- Safe, non-toxic, non-irritant & without red list chemical binders.
- Recycled and recyclable.
- 10 years warranty.

CARE

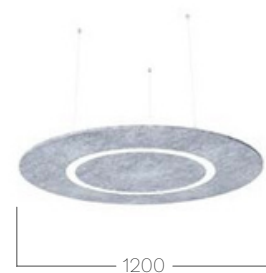
- Easy to clean with a damp cloth or vacuum cleaner.
- Indoor use only.

INSTALLATION

- Designed for easy assembly with adjustable ceiling mount units.

DIMENSIONS (MM):

Ø: 1200mm
Thickness: 12mm



LIGHT SOURCE SPECIFICATIONS	
Wattage	55W
Input Voltage	220 - 240V AC
Input Frequency	50 / 60 Hz
Lumen Output	5225lm
Color Temperature	2700K, 3000K, 4000K
Color Rendering Index	90CRI
Unified Glare Rating	-
Control Type	Standard On/Off
Dimmable (Optional)	DALI, Push Dim, Bluetooth options
Lighting Type	Direct Lighting / Indirect Lighting

Flat Cloud Lighting Details

