

# CONIC

# NGA

## SPECIFICATION

- Composition: 100 % polyester (recycled PET appx. 50 %)
- Material Weight: 2200g /m<sup>2</sup> (+/- 5 %)
- Material Thickness: Natural & Mandarin colors (+/- 10 %)
- Product Weight: Natural: 0,24 kg / per pcs. (+/-5 %)  
Mandarin: 0,275 kg / per pcs. (+/-5 %)

## LIGHT SOURCE SPECIFICATION

- Frequency: AC 50 Hz
- IP Rating: IP 20
- Classification: Class II
- Watt: 6W
- LED Life: 30.000 Hour
- Colour Temperature: 3000K
- Cable Length: 2000 mm
- Cable Set Colour: Black & White colour

## PERFORMANCE

- Fire Rates: B, S1, d0 (EN-13501)
- Light fastness: 6+ (ISO-105 B02)
- Health : 99.9 % Antibacterial (ISO-20743)
- Formaldehyde-free (ISO-14184)
- Moisture Absorption: >0.03 % by weight (50°C/122°F at 90% relative humidity)
- Thermal insulating: 0,040 W/mK
- Abrasion: EN ISO 12947 / Performance 'A'

## KEY FEATURES & BENEFITS

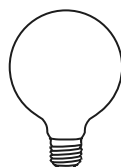
- Available in 7 Natural colors & 34 Mandarin colors.
- Highly durable providing long-term stability and performance.
- Safe, non-toxic, non-irritant & without red list chemical binders.
- Recycled and recyclable.
- 10 years warranty.

## CARE

- Easy to clean with a damp cloth or vacuum cleaner.
- Indoor use only.

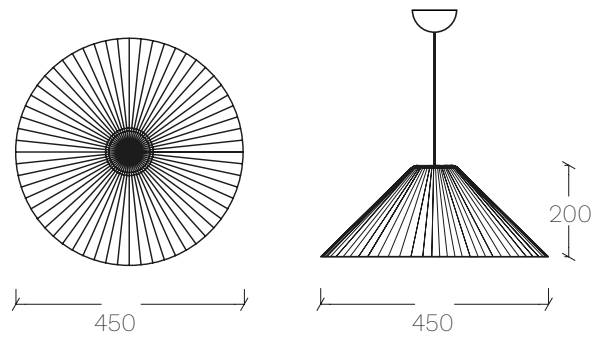
## INSTALLATION

- Ufo LED Bulb-E27 Socket



## DIMENSIONS (MM):

Ø: 450mm  
H: 200mm



Light Source Specification	
Wattage	6W
Input Voltage	220 - 240V
Input Frequency	AC 50 / 60 Hz
Lumen output	660 lm
*** Color Temperature	2700K
Color Rendering Index	80CRI
Unified Glare Rating	No UGR
Dimmable	-
Lighting Type	Direct Lighting
Socket	1 x E27

\*\*\* NG 200 Conic is available with Mandarin colors at outer surface