

WAVE - BAFFLE 1200

Baffle models of Plativity Collection are simple, elegant and one of the most dynamic modular acoustic ceiling systems. Easy to install, lightweight, and can be installed quickly to transform large volumes into linear ceiling systems. Baffle delivers tailor made acoustic solutions with cut-out 12mm thickness of Plate sheets that offers an adjustable gap between felt baffles and various dimensions. Upon request, we can manufacture with various thicknesses and customizable designs.

SPECIFICATION

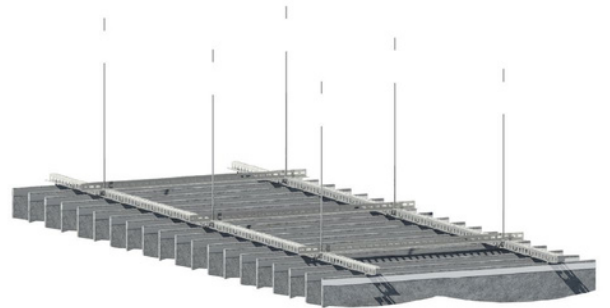
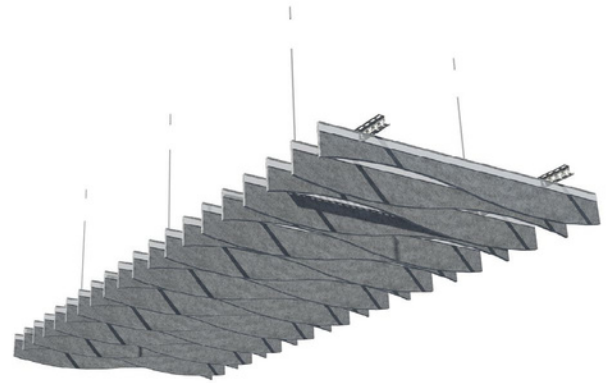
- Composition: 100 % polyester (recycled PET appx. 50 %)
- Material Weight: 12mm: 2600g/m² (+/- 5 %), 12mm: 3000g/m² (+/- 5 %)
- Material Thickness: 12mm Natural & Mandarin colours (+/- 10 %)
- Panel Weight: Natural / 1200x3000mm: 7,50 kg / per pcs. (+/-5 %)
Mandarin / 1200x3000mm: kg / per pcs. (+/-5 %)

DIMENSIONS (mm)

BFL320	BFL323	BFL326
W: 1200mm	W: 1200mm	W: 1200mm
L: 3000mm	L: 3000mm	L: 3000mm
H: 100mm	H: 120mm	H: 140mm
CTC: 100mm	CTC: 120mm	CTC: 140mm

PERFORMANCE

- Acoustic Rates: 0,55 NRC (EN-11654)
- Fire Rates: B, S1, d0 (EN-13501)
- Light fastness: 6+ (ISO-105 B02)
- Health : 99.9 % Antibacterial (ISO-20743)
- Formaldehyde-free (ISO-14184)
- Moisture Absorption: >0.03 % by weight (50°C/122°F at 90% relative humidity)
- Thermal insulating: 0,040 W/mK
- Abrasion: EN ISO 12947 / Performance 'A'



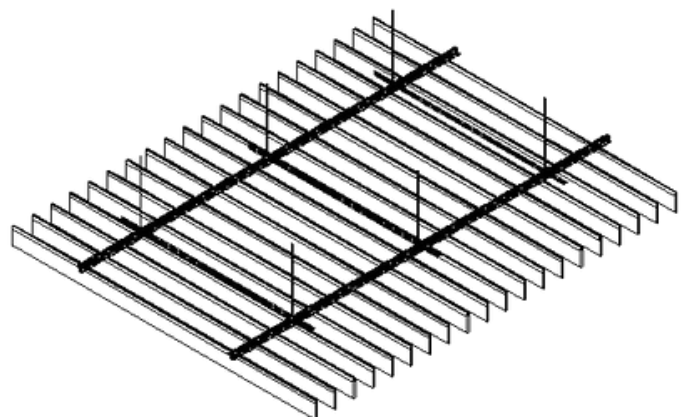
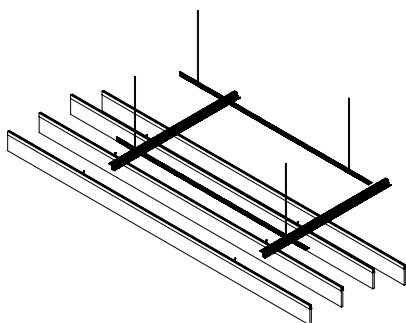
KEY FEATURES & BENEFITS

- Available in 7 Natural colors & 33 Mandarin colours.
- Highly durable providing long-term stability and performance.
- Safe, non-toxic, non-irritant & without red list chemical binders.
- Recycled and recyclable.
- 10 years warranty.

CARE

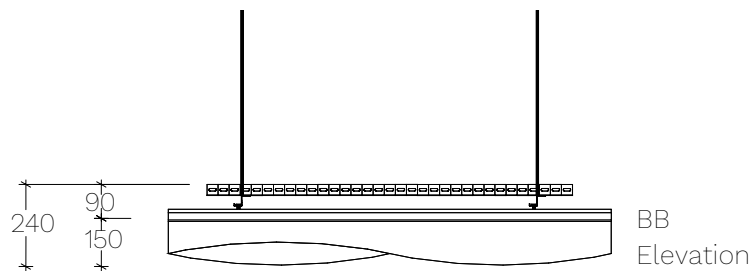
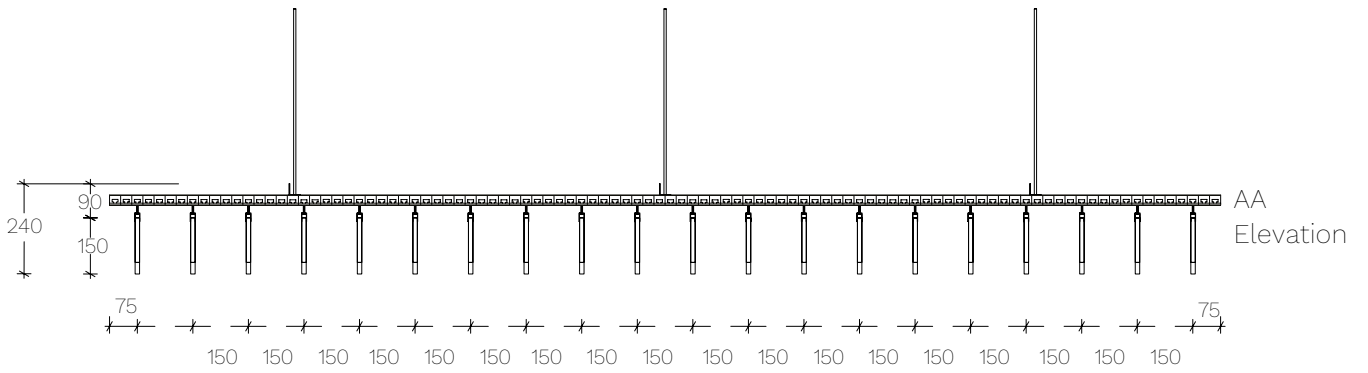
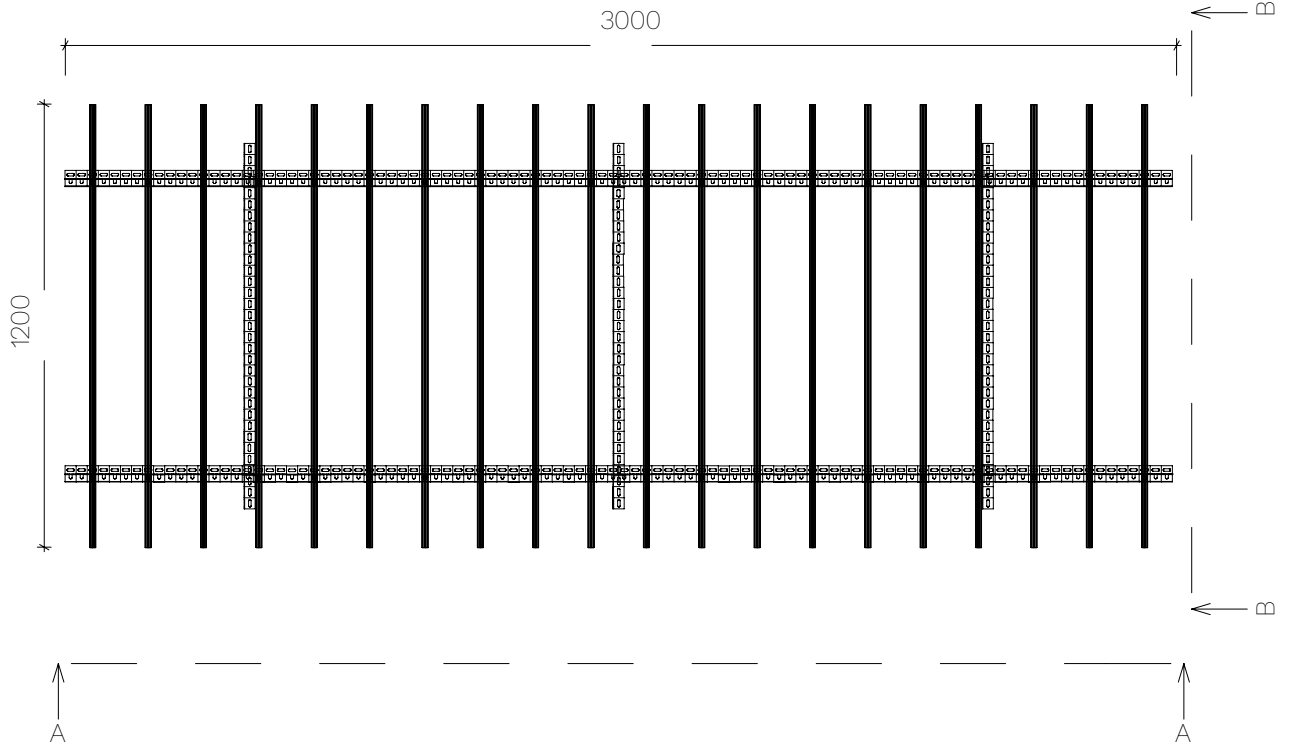
- Easy to clean with a damp cloth or vacuum cleaner.
- Indoor use only.

INSTALLATION



WAVE BAFFLE 1200

Product Code: BFL309, BFL310, BFL311



WAVE BAFFLE - 1800

Baffle models of Plativity Collection are simple, elegant and one of the most dynamic modular acoustic ceiling systems. Easy to install, lightweight, and can be installed quickly to transform large volumes into linear ceiling systems. Baffle delivers tailor made acoustic solutions with cut-out 12mm thickness of Plate sheets that offers an adjustable gap between felt baffles and various dimensions. Upon request, we can manufacture with various thicknesses and customizable designs.

SPECIFICATION

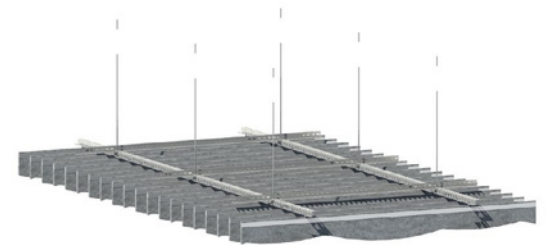
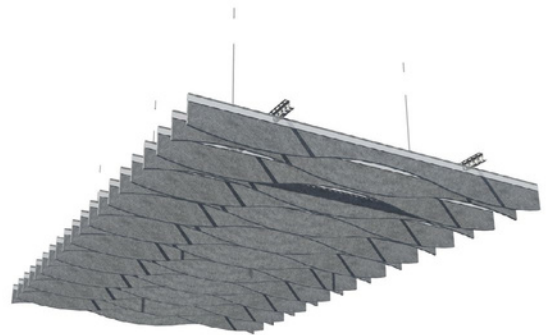
- Composition: 100 % polyester (recycled PET appx. 50 %)
- Material Weight: 12mm: 2600g/m² (+/- 5 %), 12mm: 3000g/m² (+/- 5 %)
- Material Thickness: 12mm Natural & Mandarin colors (+/- 10 %)
- Panel Weight: Natural / 1800x3000mm: 11,25 kg / per pcs. (+/- 5 %)
Mandarin / 1800x3000mm: kg / per pcs. (+/- 5 %)

DIMENSIONS (mm)

BFL321	BFL324	BFL327
W: 1800mm	W: 1800mm	W: 1800mm
L: 3000mm	L: 3000mm	L: 3000mm
H: 100mm	H: 120mm	H: 140mm
CTC: 100mm	CTC: 120mm	CTC: 140mm

PERFORMANCE

- Acoustic Rates: 0,55 NRC (EN-11654)
- Fire Rates: B, S1, d0 (EN-13501)
- Light fastness: 6+ (ISO-105 B02)
- Health : 99.9 % Antibacterial (ISO-20743)
- Formaldehyde-free (ISO-14184)
- Moisture Absorption: >0.03 % by weight (50°C/122°F at 90% relative humidity)
- Thermal insulating: 0,040 W/mK
- Abrasion: EN ISO 12947 / Performance 'A'



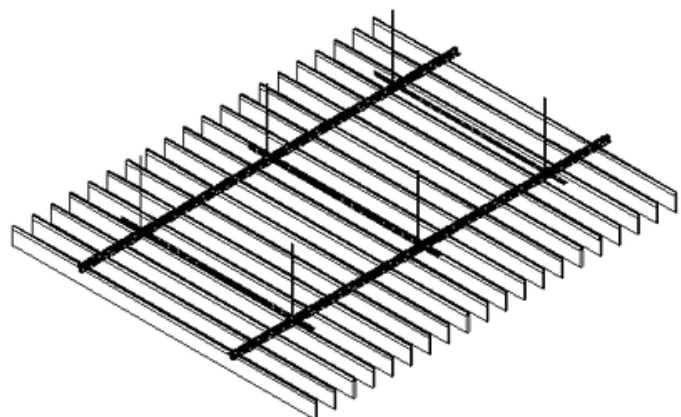
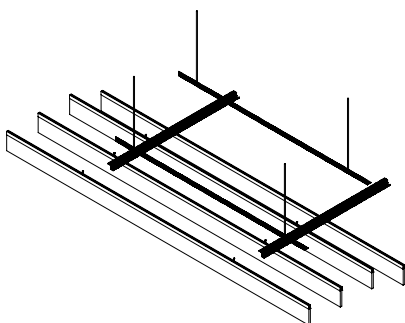
KEY FEATURES & BENEFITS

- Available in 7 Natural colors & 33 Mandarin colours.
- Highly durable providing long-term stability and performance. Safe, non-toxic, non-irritant & without red list chemical binders.
- Recycled and recyclable.
- 10 years warranty.

CARE

- Easy to clean with a damp cloth or vacuum cleaner.
- Indoor use only.

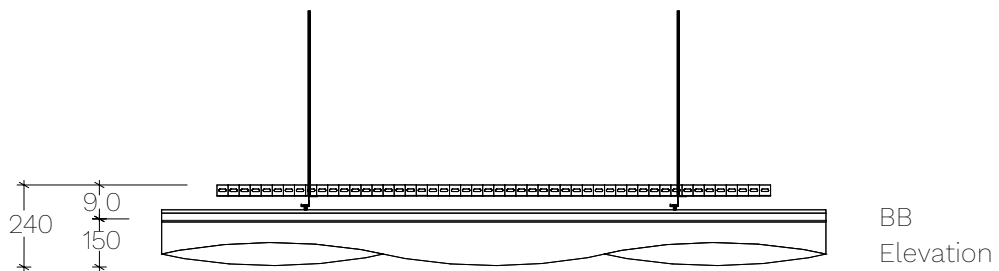
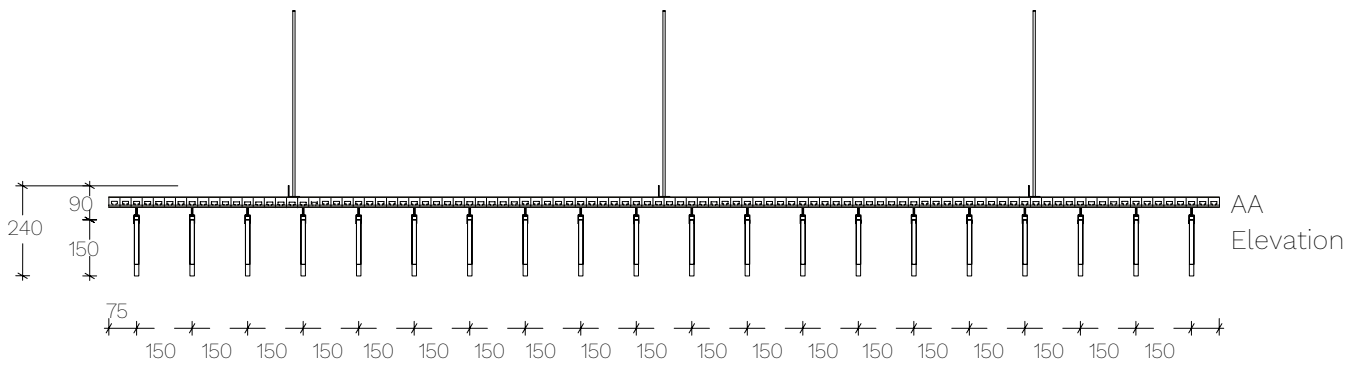
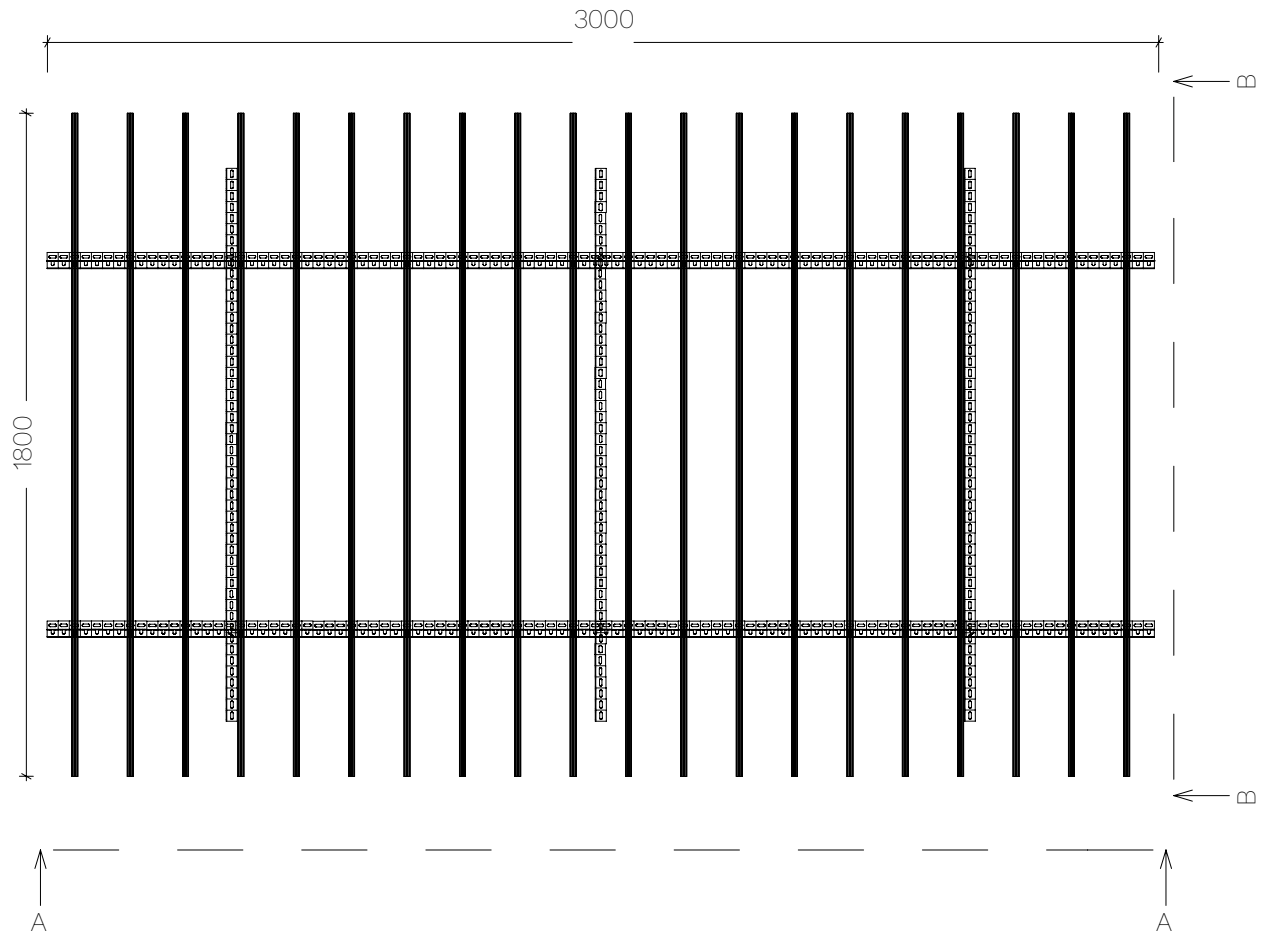
INSTALLATION



WAVE BAFFLE 1800

NGA

Product Code: BFL321, BFL324, BFL327



WAVE - BAFFLE 2400

Baffle models of Plativity Collection are simple, elegant and one of the most dynamic modular acoustic ceiling systems. Easy to install, lightweight, and can be installed quickly to transform large volumes into linear ceiling systems. Baffle delivers tailor made acoustic solutions with cut-out 12mm thickness of Plate sheets that offers an adjustable gap between felt baffles and various dimensions. Upon request, we can manufacture with various thicknesses and customizable designs.

SPECIFICATION

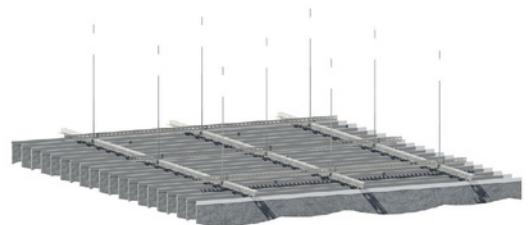
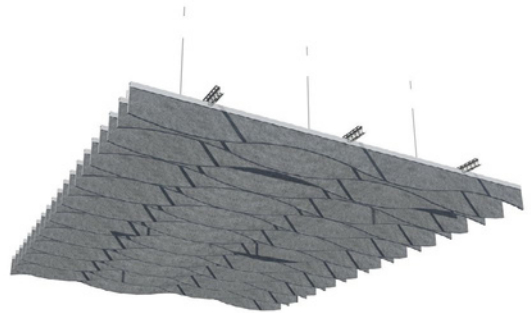
- Composition: 100 % polyester (recycled PET appx. 50 %)
- Material Weight: 12mm: 2600g/m² (+/- 5 %), 12mm: 3000g/m² (+/- 5 %)
- Material Thickness: 12mm Natural & Mandarin colors (+/- 10 %)
- Panel Weight: Natural / 2400x3000mm: 15,00 kg / per pcs. (+/-5 %)
Mandarin/ 2400x3000mm: kg / per pcs. (+/-5 %)

DIMENSIONS (mm)

BFL322	BFL325	BFL328
W: 2400mm	W: 2400mm	W: 2400mm
L: 3000mm	L: 3000mm	L: 3000mm
H: 100mm	H: 120mm	H: 140mm
CTC: 100mm	CTC: 120mm	CTC: 140mm

PERFORMANCE

- Acoustic Rates: 0,55 NRC (EN-11654)
- Fire Rates: B, S1, d0 (EN-13501)
- Light fastness: 6+ (ISO-105 B02)
- Health : 99.9 % Antibacterial (ISO-20743)
- Formaldehyde-free (ISO-14184)
- Moisture Absorption: >0.03 % by weight (50°C/122°F at 90% relative humidity)
- Thermal insulating: 0,040 W/mK
- Abrasion: EN ISO 12947 / Performance 'A'



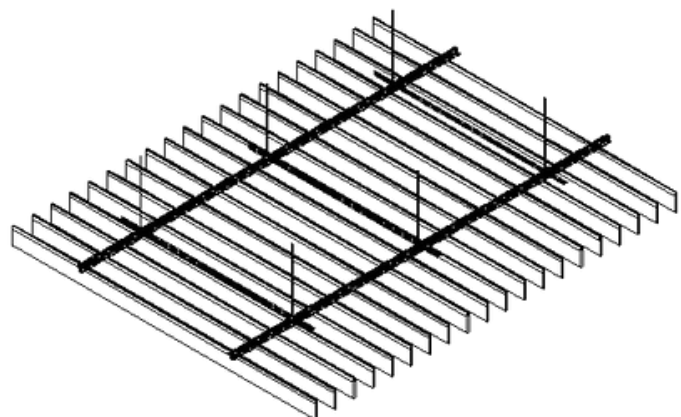
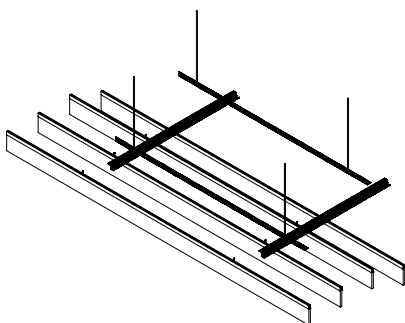
KEY FEATURES & BENEFITS

- Available in 7 Natural colors & 33 Mandarin colours.
- Highly durable providing long-term stability and performance.
- Safe, non-toxic, non-irritant & without red list chemical binders.
- Recycled and recyclable.
- 10 years warranty.

CARE

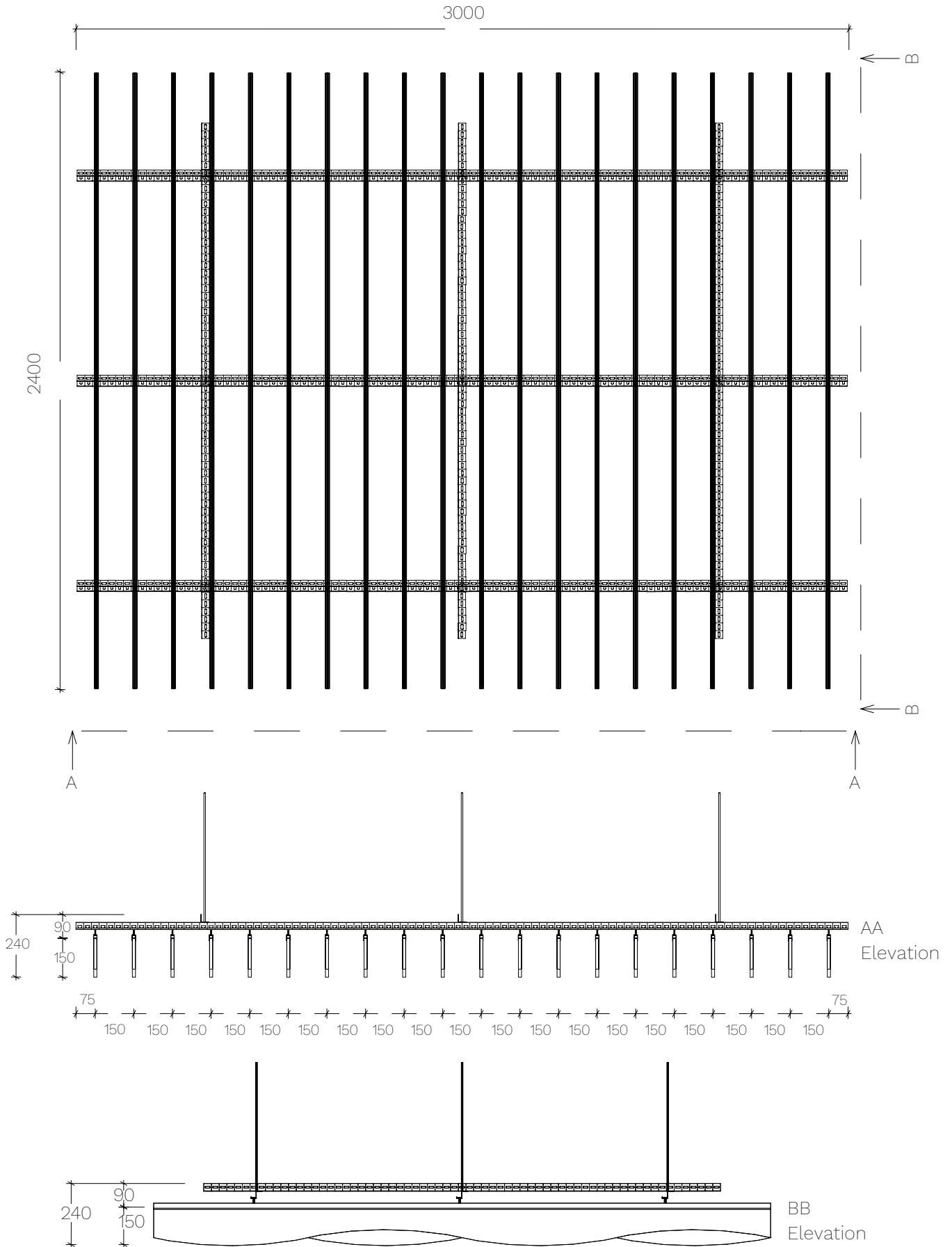
- Easy to clean with a damp cloth or vacuum cleaner.
- Indoor use only.

INSTALLATION



WAVE BAFFLE 2400

Product Code: BFL322, BFL325, BFL328



WAVE BAFFLE - 3000

Baffle models of Plativity Collection are simple, elegant and one of the most dynamic modular acoustic ceiling systems. Easy to install, lightweight, and can be installed quickly to transform large volumes into linear ceiling systems. Baffle delivers tailor made acoustic solutions with cut-out 12mm thickness of Plate sheets that offers an adjustable gap between felt baffles and various dimensions. Upon request, we can manufacture with various thicknesses and customizable designs.

SPECIFICATION

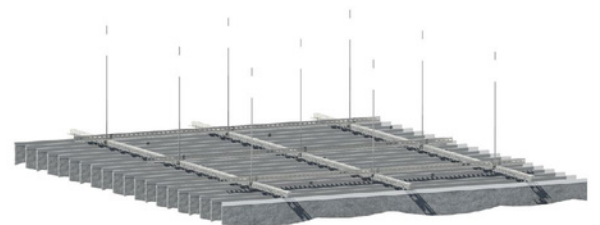
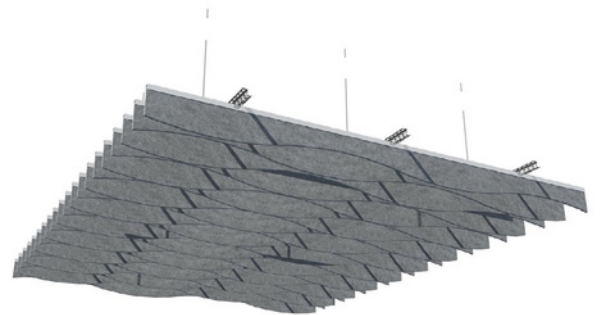
- Composition: 100 % polyester (recycled PET appx. 50 %)
- Material Weight: 12mm: 2600g/m² (+/- 5 %), 12mm: 3000g/m² (+/- 5 %)
- Material Thickness: 12mm Natural & Mandarin colors (+/- 10 %)
- Panel Weight:

DIMENSIONS (mm)

BFL360	BFL361	BFL362
W: 3000mm	W: 3000mm	W: 3000mm
L: 3000mm	L: 3000mm	L: 3000mm
H: 100mm	H: 120mm	H: 140mm
CTC: 100mm	CTC: 120mm	CTC: 140mm

PERFORMANCE

- Acoustic Rates: 0,55 NRC (EN-11654)
- Fire Rates: B, S1, d0 (EN-13501)
- Light fastness: 6+ (ISO-105 B02)
- Health : 99.9 % Antibacterial (ISO-20743)
- Formaldehyde-free (ISO-14184)
- Moisture Absorption: >0.03 % by weight (50°C/122°F at 90% relative humidity)
- Thermal insulating: 0,040 W/mK
- Abrasion: EN ISO 12947 / Performance 'A'



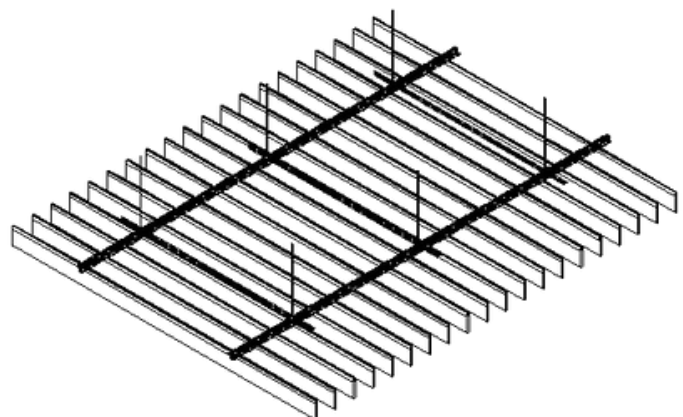
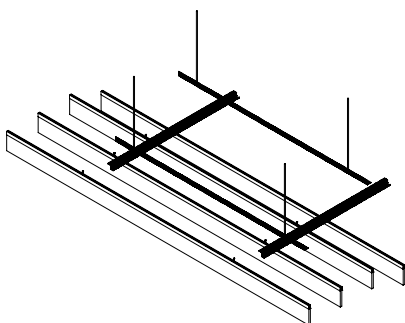
KEY FEATURES & BENEFITS

- Available in 7 Natural colors & 33 Mandarin colours.
- Highly durable providing long-term stability and performance.
- Safe, non-toxic, non-irritant & without red list chemical binders.
- Recycled and recyclable.
- 10 years warranty.

CARE

- Easy to clean with a damp cloth or vacuum cleaner.
- Indoor use only.

INSTALLATION



WAVE BAFFLE 3000

Baffle models of Plativity Collection are simple, elegant and one of the most dynamic modular acoustic ceiling systems. Easy to install, lightweight, and can be installed quickly to transform large volumes into linear ceiling systems. Baffle delivers tailor made acoustic solutions with cut-out 12mm thickness of Plate sheets that offers an adjustable gap between felt baffles and various dimensions. Upon request, we can manufacture with various thicknesses and customizable designs.

SPECIFICATION

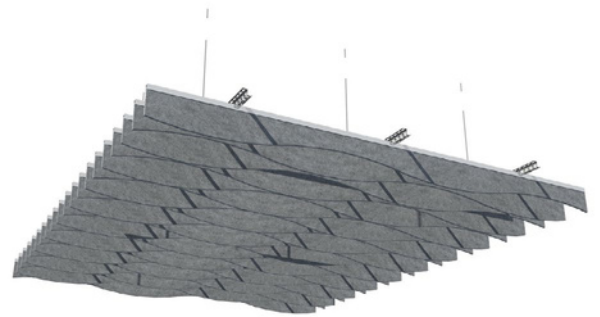
- Composition: 100 % polyester (recycled PET appx. 50 %)
- Material Weight: 12mm: 2600g/m² (+/- 5 %), 12mm: 3000g/m² (+/- 5 %)
- Material Thickness: 12mm Natural & Mandarin colors (+/- 10 %)
- Panel Weight:

DIMENSIONS (mm)

BFL360	BFL361	BFL362
W: 3000mm	W: 3000mm	W: 3000mm
L: 3000mm	L: 3000mm	L: 3000mm
H: 100mm	H: 120mm	H: 140mm
CTC: 100mm	CTC: 120mm	CTC: 140mm

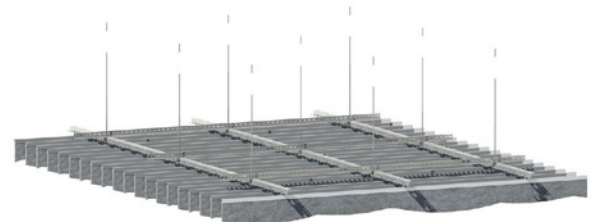
PERFORMANCE

- Acoustic Rates: 0,55 NRC (EN-11654)
- Fire Rates: B, S1, d0 (EN-13501)
- Light fastness: 6+ (ISO-105 B02)
- Health : 99.9 % Antibacterial (ISO-20743)
- Formaldehyde-free (ISO-14184)
- Moisture Absorption: >0.03 % by weight (50°C/122°F at 90% relative humidity)
- Thermal insulating: 0,040 W/mK
- Abrasion: EN ISO 12947 / Performance 'A'



KEY FEATURES & BENEFITS

- Available in 7 Natural colors & 33 Mandarin colours.
- Highly durable providing long-term stability and performance. Safe, non-toxic, non-irritant & without red list chemical binders.
- Recycled and recyclable.
- 10 years warranty.



CARE

- Easy to clean with a damp cloth or vacuum cleaner.
- Indoor use only.

INSTALLATION

