

STRAIGHT BAFFLE 1800

NGA

Product Code: BFL301, BFL304, BFL307, BFL315

Baffle models of Plativity Collection are simple, elegant and one of the most dynamic modular acoustic ceiling systems. Easy to install, lightweight, and can be installed quickly to transform large volumes into linear ceiling systems. Baffle delivers tailor made acoustic solutions with cut-out 12mm thickness of Plate sheets that offers an adjustable gap between felt baffles and various dimensions. Upon request, we can produce various thicknesses and customizable designs.

SPECIFICATION

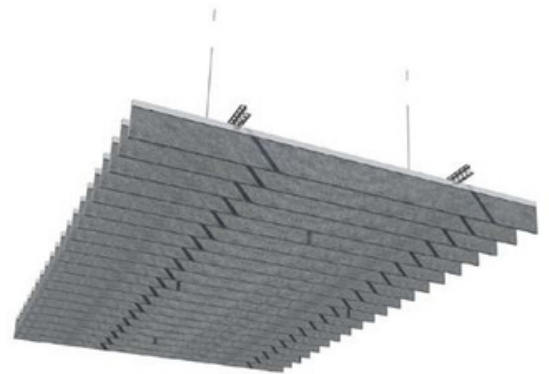
- Composition: 100 % polyester (recycled PET appx. 50 %)
- Material Weight: 12mm: 2600g/m² (+/- 5 %), 12mm: 3000g/m² (+/- 5 %)
- Material Thickness: 12mm Natural & Mandarin colours (+/- 10 %)
- Panel Weight: Natural / 1800x3000mm: 11,25 kg / per pcs. (+/-5 %)
Mandarin / 1800x3000mm: kg / per pcs. (+/-5 %)

DIMENSIONS (mm):

BFL301	BFL304	BFL307	BFL315
W: 1200mm	W: 1200mm	W: 1200mm	W: 1200mm
L: 3000mm	L: 3000mm	L: 3000mm	L: 3000mm
H: 140mm	H: 120mm	H: 100mm	H: 80mm
CTC: 160mm	CTC: 140mm	CTC: 120mm	CTC: 100mm

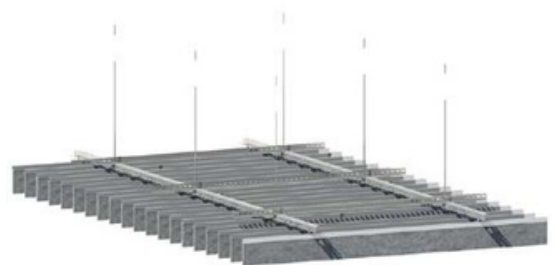
PERFORMANCE

- Acoustic Rates: 0,55 NRC (EN-11654)
- Fire Rates: B, S1, d0 (EN-13501)
- Light fastness: 6+ (ISO-105 B02)
- Health : 99.9 % Antibacterial (ISO-20743)
- Formaldehyde-free (ISO-14184)
- Moisture Absorption: >0.03 % by weight (50°C/122°F at 90% relative humidity)
- Thermal insulating: 0,040 W/mK
- Abrasion: EN ISO 12947 / Performance 'A'



KEY FEATURES & BENEFITS

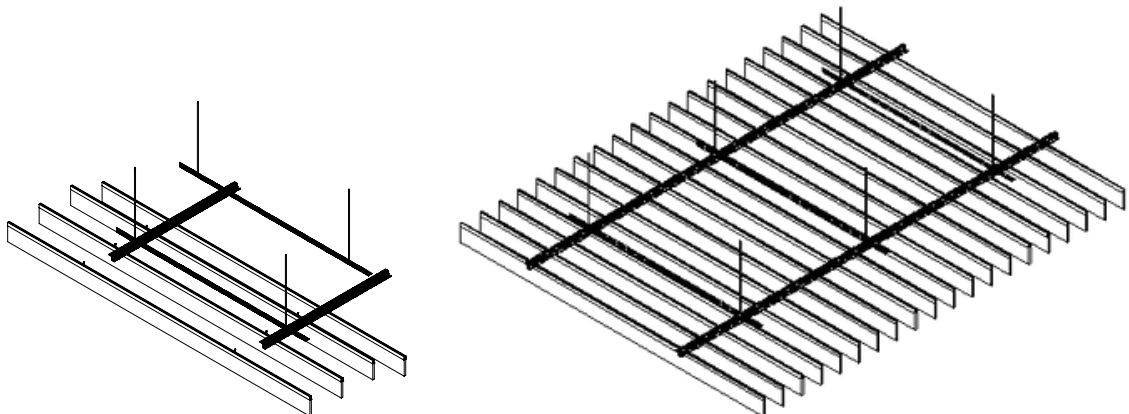
- Available in 7 Natural colors & 34 Mandarin colors.
- Highly durable providing long-term stability and performance.
- Safe, non-toxic, non-irritant & without red list chemical binders.
- Recycled and recyclable.
- 10 years warranty.



CARE

- Easy to clean with a damp cloth or vacuum cleaner.
- Indoor use only.

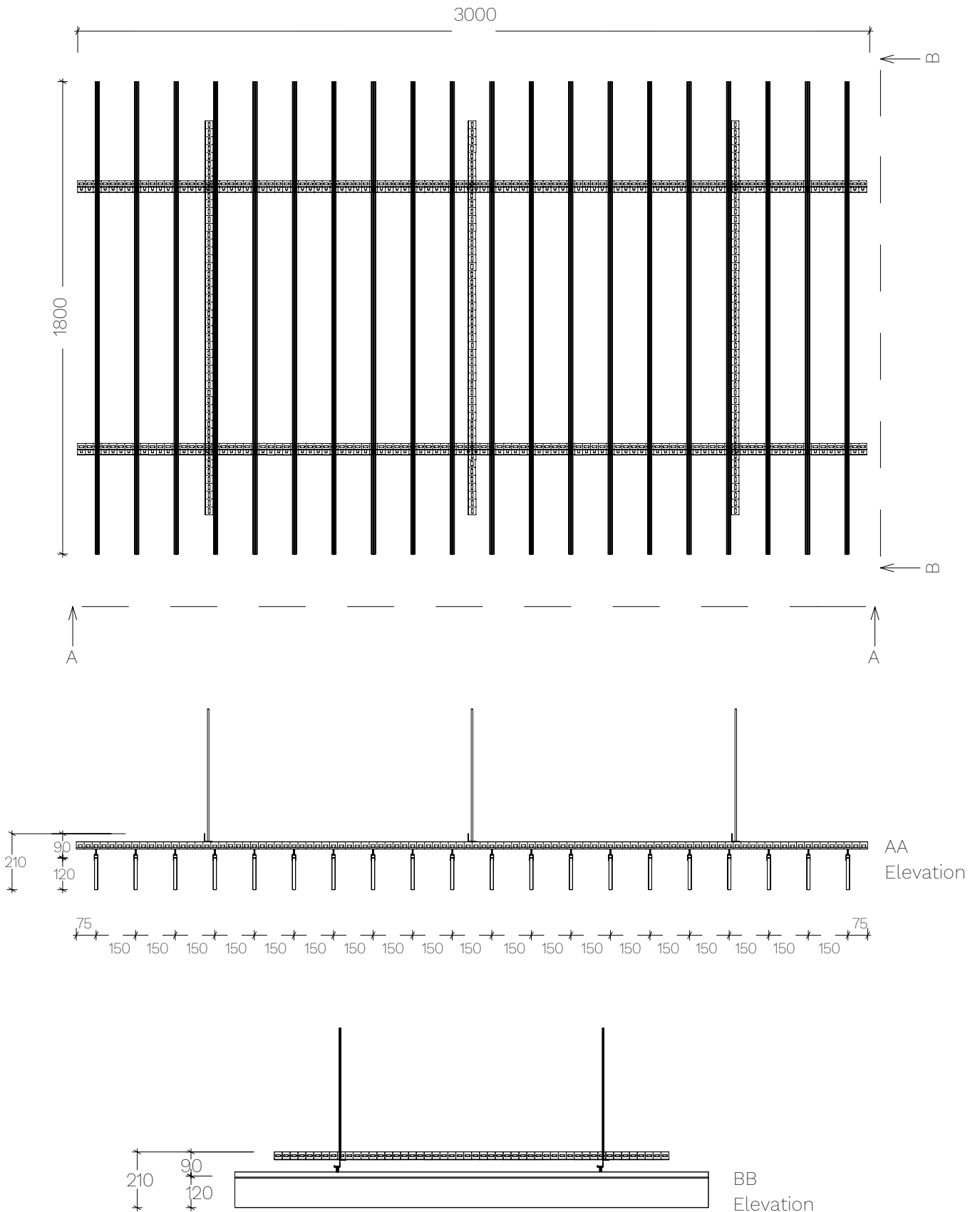
INSTALLATION



STRAIGHT BAFFLE 1800

NGA

Product Code: BFL301, BFL304, BFL307, BFL315



STRAIGHT BAFFLE 2400

Product Code: BFL302, BFL305, BFL308, BFL314

Baffle models of Plativity Collection are simple, elegant and one of the most dynamic modular acoustic ceiling systems. Easy to install, lightweight, and can be installed quickly to transform large volumes into linear ceiling systems. Baffle delivers tailor made acoustic solutions with cut-out 12mm thickness of Plate sheets that offers an adjustable gap between felt baffles and various dimensions. Upon request, we can produce various thicknesses and customizable designs.

SPECIFICATION

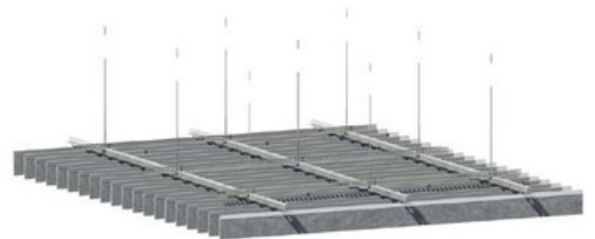
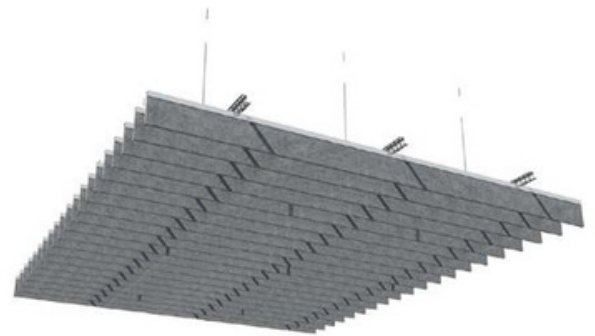
- Composition: 100 % polyester (recycled PET appx. 50 %)
- Material Weight: 12mm: 2600g/m² (+/- 5 %), 12mm: 3000g/m² (+/- 5 %)
- Material Thickness: 12mm Natural & Mandarin colors (+/- 10 %)
- Panel Weight: Natural / 240x300cm: 15,00 kg / per pcs. (+/- 5 %)
Mandarin / 240x300cm: kg / per pcs. (+/- 5 %)

DIMENSIONS (mm):

BFL302	BFL305	BFL308	BFL314
W: 1200mm	W: 1200mm	W: 1200mm	W: 1200mm
L: 3000mm	L: 3000mm	L: 3000mm	L: 3000mm
H: 140mm	H: 120mm	H: 100mm	H: 80mm
CTC: 160mm	CTC: 140mm	CTC: 120mm	CTC: 100mm

PERFORMANCE

- Acoustic Rates: 0,55 NRC (EN-11654)
- Fire Rates: B, S1, d0 (EN-13501)
- Light fastness: 6+ (ISO-105 B02)
- Health : 99.9 % Antibacterial (ISO-20743)
- Formaldehyde-free (ISO-14184)
- Moisture Absorption: >0.03 % by weight (50°C/122°F at 90% relative humidity)
- Thermal insulating: 0,040 W/mK
- Abrasion: EN ISO 12947 / Performance 'A'



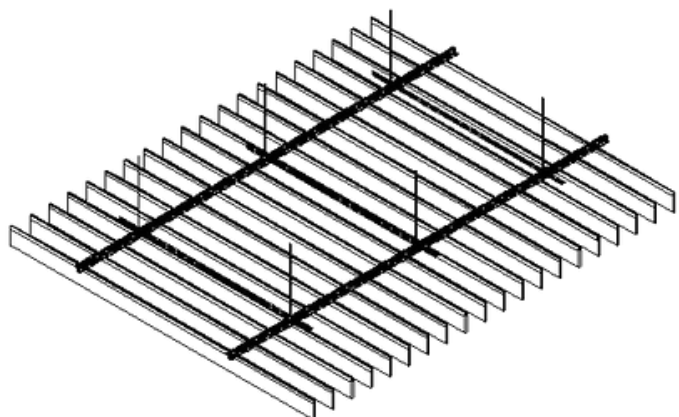
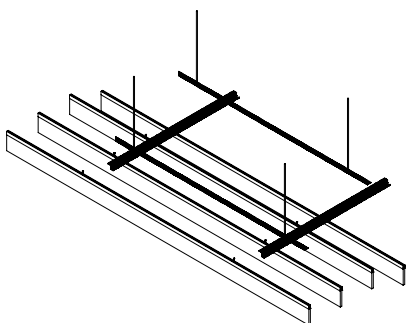
KEY FEATURES & BENEFITS

- Available in 7 Natural colors & 34 Mandarin colors.
- Highly durable providing long-term stability and performance.
- Safe, non-toxic, non-irritant & without red list chemical binders.
- Recycled and recyclable.
- 10 years warranty.

CARE

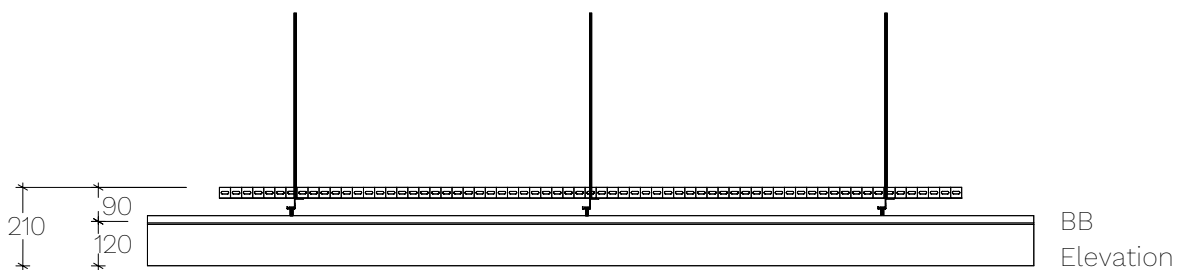
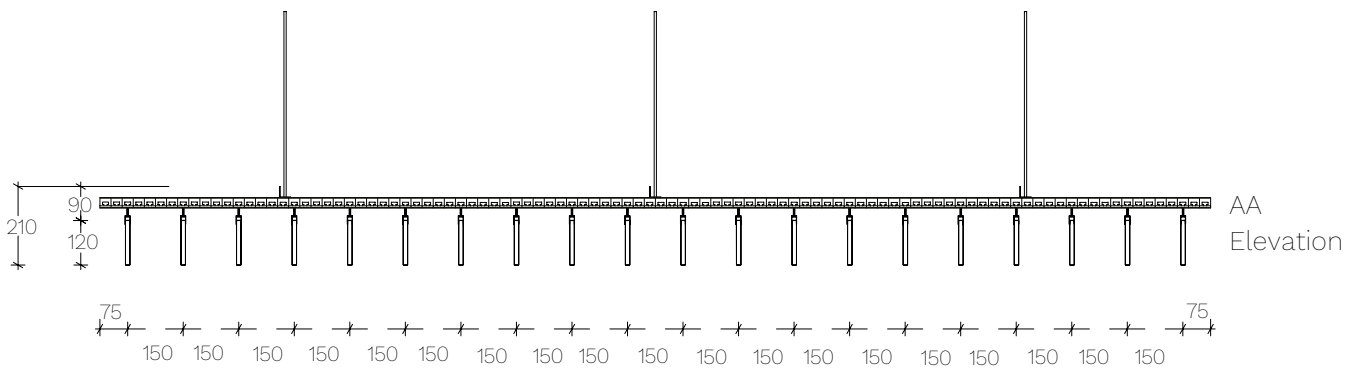
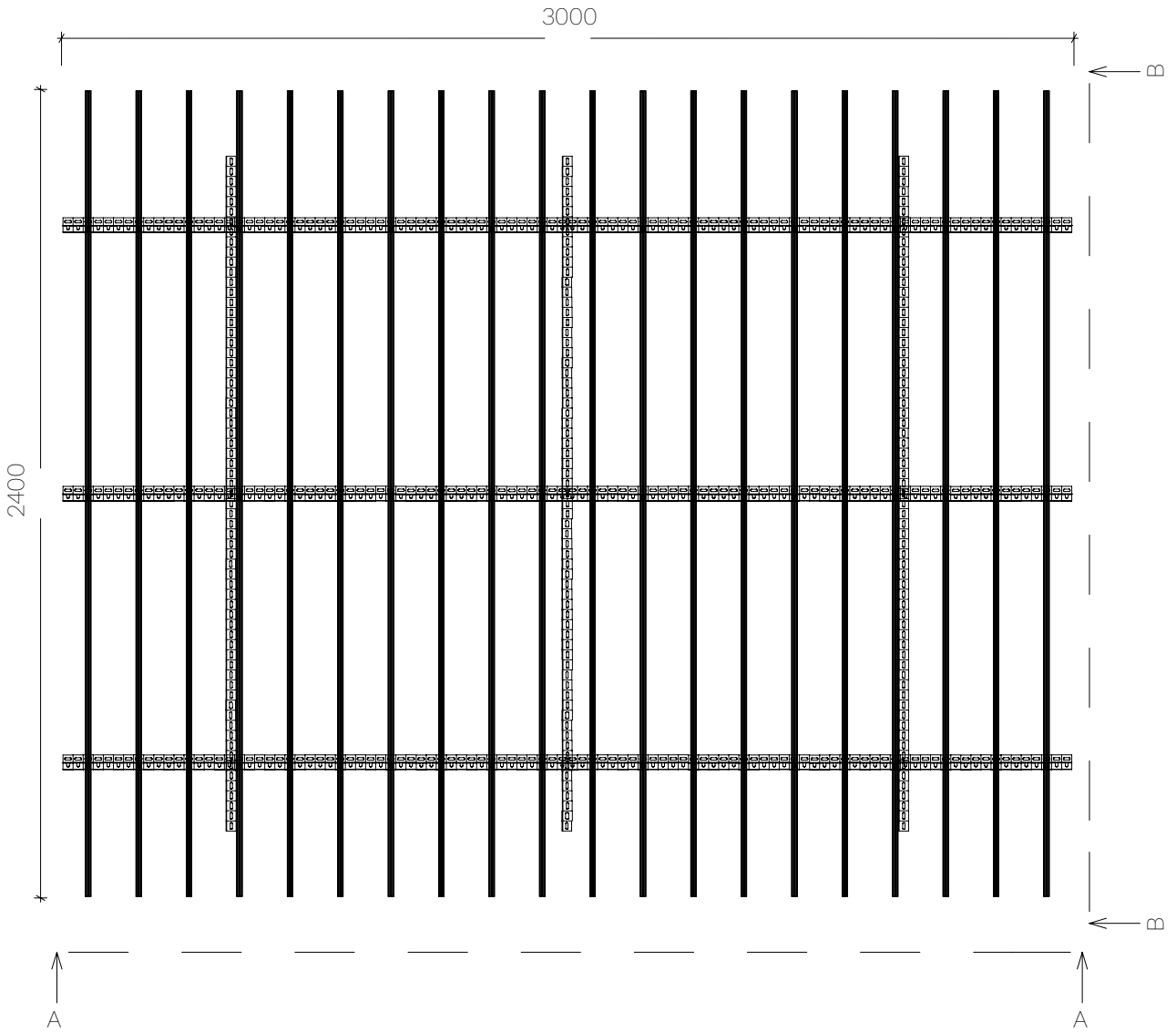
- Easy to clean with a damp cloth or vacuum cleaner.
- Indoor use only.

INSTALLATION



STRAIGHT BAFFLE 2400

Product Code: BFL302, BFL305, BFL308, BFL314



STRAIGHT BAFFLE 3000

Product Code: BFL309, BFL310, BFL311, BFL312

Baffle models of Plativity Collection are simple, elegant and one of the most dynamic modular acoustic ceiling systems. Easy to install, lightweight, and can be installed quickly to transform large volumes into linear ceiling systems. Baffle delivers tailor made acoustic solutions with cut-out 12mm thickness of Plate sheets that offers an adjustable gap between felt baffles and various dimensions. Upon request, we can produce various thicknesses and customizable designs.

SPECIFICATION

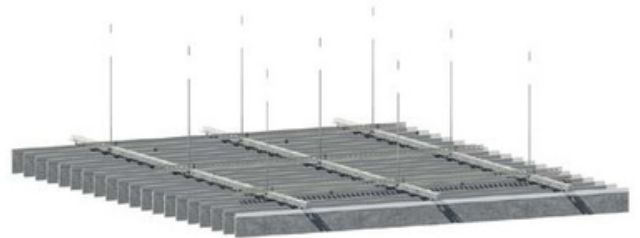
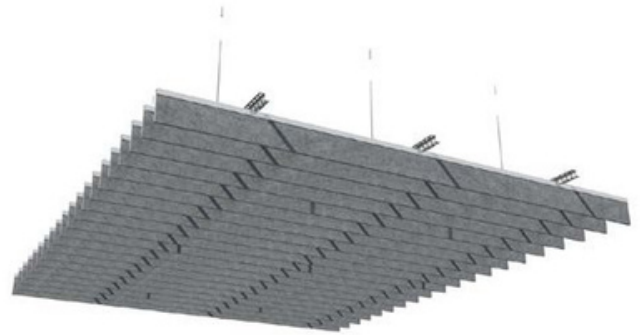
- Composition: 100 % polyester (recycled PET appx. 50 %)
- Material Weight: 12mm: 2600g/m² (+/- 5 %), 12mm: 3000g/m² (+/- 5 %)
- Material Thickness: 12mm Natural & Mandarin colors (+/- 10 %)
- Panel Weight:

DIMENSIONS (mm):

BFL309	BFL310	BFL311	BFL312
W: 1200mm	W: 1200mm	W: 1200mm	W: 1200mm
L: 3000mm	L: 3000mm	L: 3000mm	L: 3000mm
H: 140mm	H: 120mm	H: 100mm	H: 80mm
CTC: 160mm	CTC: 140mm	CTC: 120mm	CTC: 100mm

PERFORMANCE

- Acoustic Rates: 0,55 NRC (EN-11654)
- Fire Rates: B, S1, d0 (EN-13501)
- Light fastness: 6+ (ISO-105 B02)
- Health : 99.9 % Antibacterial (ISO-20743)
- Formaldehyde-free (ISO-14184)
- Moisture Absorption: >0.03 % by weight (50°C/122°F at 90% relative humidity)
- Thermal insulating: 0,040 W/mK
- Abrasion: EN ISO 12947 / Performance 'A'



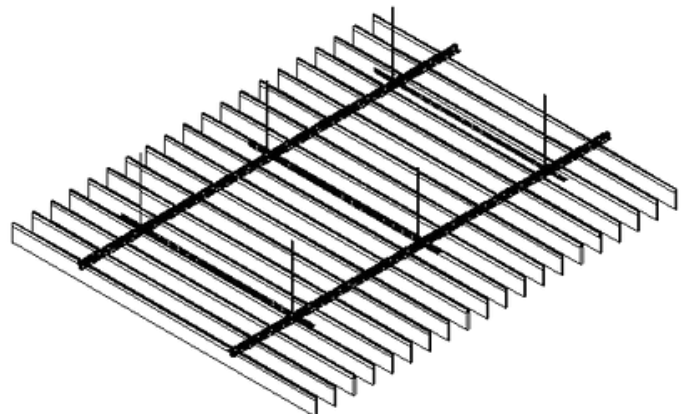
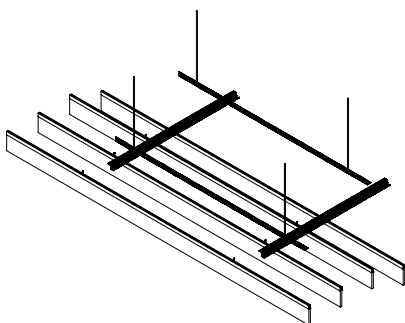
KEY FEATURES & BENEFITS

- Available in 7 Natural colors & 34 Mandarin colors.
- Highly durable providing long-term stability and performance.
- Safe, non-toxic, non-irritant & without red list chemical binders.
- Recycled and recyclable.
- 10 years warranty.

CARE

- Easy to clean with a damp cloth or vacuum cleaner.
- Indoor use only.

INSTALLATION



STRAIGHT BAFFLE 1200

Product Code: BFL300, BFL303, BFL306, BFL313

Baffle models of Plativity Collection are simple, elegant and one of the most dynamic modular acoustic ceiling systems. Easy to install, lightweight, and can be installed quickly to transform large volumes into linear ceiling systems. Baffle delivers tailor made acoustic solutions with cut-out 12mm thickness of Plate sheets that offers an adjustable gap between felt baffles and various dimensions. Upon request, we can produce various thicknesses and customizable designs.

SPECIFICATION

- Composition: 100 % polyester (recycled PET appx. 50 %)
- Material Weight: 12mm: 2600g/m² (+/- 5 %), 12mm: 3000g/m² (+/- 5 %)
- Material Thickness: 12mm Natural & Mandarin colors (+/- 10 %)
- Panel Weight: Natural / 120x300cm: 7,50 kg / per pcs. (+/-5 %)
Mandarin / 120x300cm: kg / per pcs. (+/-5 %)

DIMENSIONS (mm):

BFL300	BFL303	BFL306	BFL313
W: 1200mm	W: 1200mm	W: 1200mm	W: 1200mm
L: 3000mm	L: 3000mm	L: 3000mm	L: 3000mm
H: 140mm	H: 120mm	H: 100mm	H: 80mm
CTC: 160mm	CTC: 140mm	CTC: 120mm	CTC: 100mm

PERFORMANCE

- Acoustic Rates: 0,55 NRC (EN-11654)
- Fire Rates: B, S1, d0 (EN-13501)
- Light fastness: 6+ (ISO-105 B02)
- Health : 99.9 % Antibacterial (ISO-20743)
- Formaldehyde-free (ISO-14184)
- Moisture Absorption: >0.03 % by weight (50°C/122°F at 90% relative humidity)
- Thermal insulating: 0,040 W/mK
- Abrasion: EN ISO 12947 / Performance 'A'

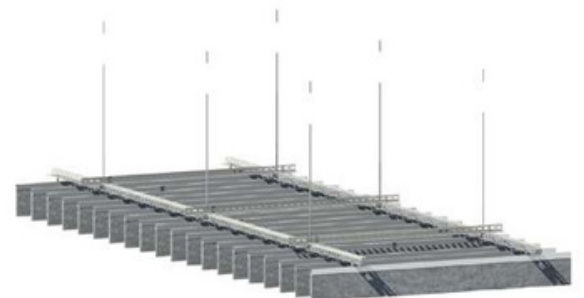
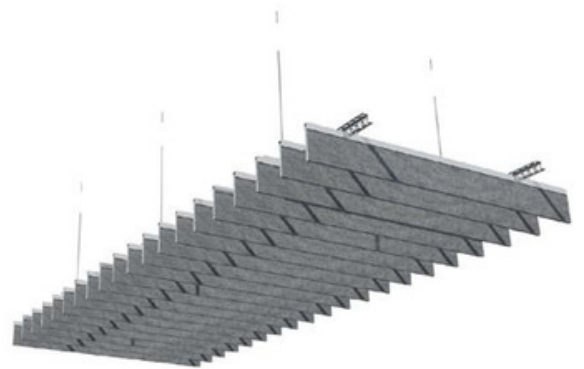
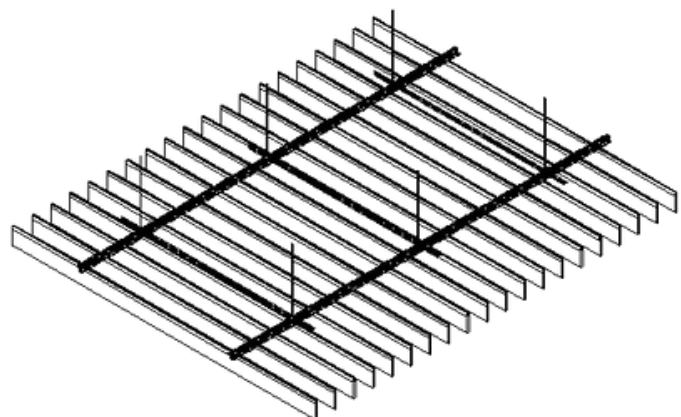
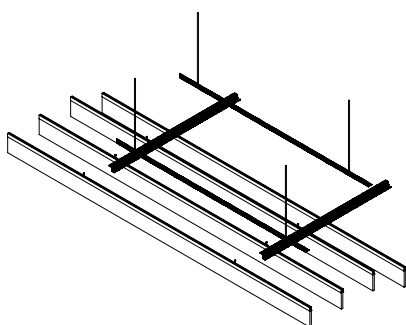
KEY FEATURES & BENEFITS

- Available in 7 Natural colors & 34 Mandarin colors.
- Highly durable providing long-term stability and performance.
- Safe, non-toxic, non-irritant & without red list chemical binders.
- Recycled and recyclable.
- 10 years warranty.

CARE

- Easy to clean with a damp cloth or vacuum cleaner.
- Indoor use only.

INSTALLATION



STRAIGHT BAFFLE 1200 Product Code: BFL300, BFL303, BFL306, BFL313

