

## BALANCE BAFFLE - 1200

Baffle models of Plativity Collection are simple, elegant and one of the most dynamic modular acoustic ceiling systems. Easy to install, lightweight, and can be installed quickly to transform large volumes into linear ceiling systems. Baffle delivers tailor made acoustic solutions with cut-out 12mm thickness of Plate sheets that offers an adjustable gap between felt baffles and various dimensions. Upon request, we can manufacture with various thicknesses and customizable designs.

### SPECIFICATION

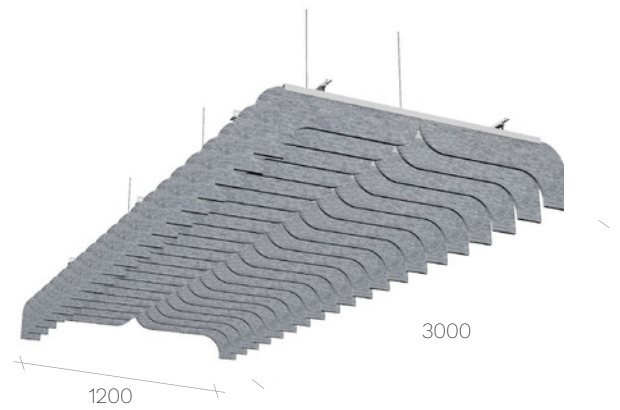
- Composition: 100 % polyester (recycled PET appx. 50 %)
- Material Weight: 12mm: 2600g/m<sup>2</sup> (+/- 5 %), 12mm: 3000g/m<sup>2</sup> (+/- 5 %)
- Material Thickness: 12mm Natural & Mandarin colors (+/- 10 %)
- Panel Weight: Natural / 1200x3000mm: kg / per pcs. (+/-5 %)  
Mandarin / 1200x3000mm: kg / per pcs. (+/-5 %)

### DIMENSIONS (mm)

W: 1200mm  
L: 3000mm  
H: 240mm  
CTC: 150mm

### PERFORMANCE

- Acoustic Rates: 0,55 NRC (EN-11654)
- Fire Rates: B, S1, d0 (EN-13501)
- Light fastness: 6+ (ISO-105 B02)
- Health : 99.9 % Antibacterial (ISO-20743)
- Formaldehyde-free (ISO-14184)
- Moisture Absorption: >0.03 % by weight (50°C/122°F at 90% relative humidity)
- Thermal insulating: 0,040 W/mK
- Abrasion: EN ISO 12947 / Performance 'A'



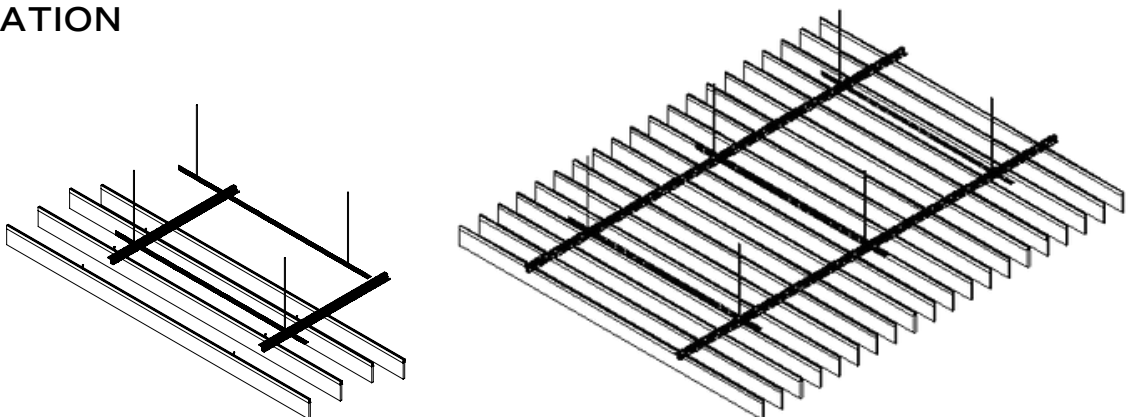
### KEY FEATURES & BENEFITS

- Available in 7 Natural colors & 33 Mandarin colours.
- Highly durable providing long-term stability and performance.
- Safe, non-toxic, non-irritant & without red list chemical binders.
- Recycled and recyclable.
- 10 years warranty.

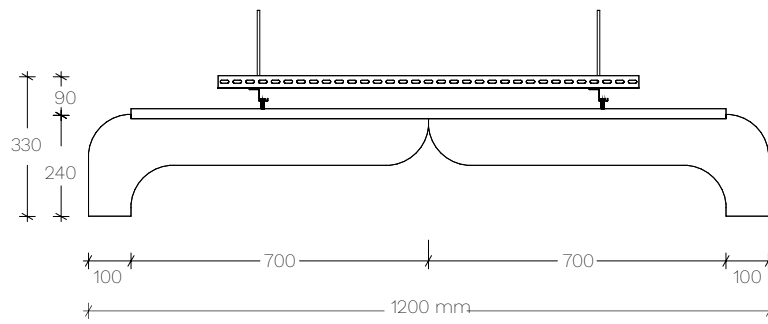
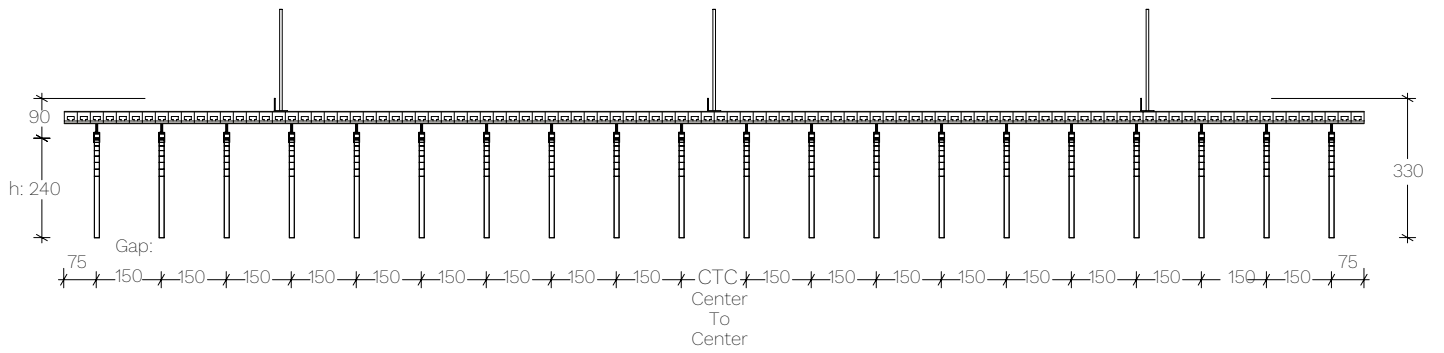
### CARE

- Easy to clean with a damp cloth or vacuum cleaner.
- Indoor use only.

### INSTALLATION



## BALANCE BAFFLE - 1200



## BALANCE BAFFLE - 1600

Baffle models of Plativity Collection are simple, elegant and one of the most dynamic modular acoustic ceiling systems. Easy to install, lightweight, and can be installed quickly to transform large volumes into linear ceiling systems. Baffle delivers tailor made acoustic solutions with cut-out 12mm thickness of Plate sheets that offers an adjustable gap between felt baffles and various dimensions. Upon request, we can manufacture with various thicknesses and customizable designs.

### SPECIFICATION

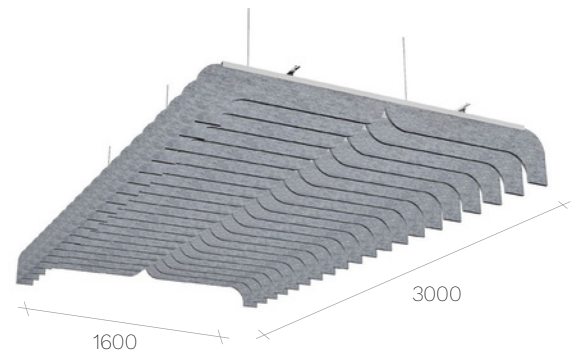
- Composition: 100 % polyester (recycled PET appx. 50 %)
- Material Weight: 12mm: 2600g/m<sup>2</sup> (+/- 5 %), 12mm: 3000g/m<sup>2</sup> (+/- 5 %)
- Material Thickness: 12mm Natural & Mandarin colors (+/- 10 %)
- Panel Weight: Natural / 1600x3000mm: kg / per pcs. (+/-5 %)  
Mandarin / 1600x3000mm: kg / per pcs. (+/-5 %)

### DIMENSIONS (mm)

W: 1600mm  
L: 3000mm  
H: 240mm  
CTC: 150mm

### PERFORMANCE

- Acoustic Rates: 0,55 NRC (EN-11654)
- Fire Rates: B, S1, d0 (EN-13501)
- Light fastness: 6+ (ISO-105 B02)
- Health : 99.9 % Antibacterial (ISO-20743)
- Formaldehyde-free (ISO-14184)
- Moisture Absorption: >0.03 % by weight (50°C/122°F at 90% relative humidity)
- Thermal insulating: 0,040 W/mK
- Abrasion: EN ISO 12947 / Performance 'A'



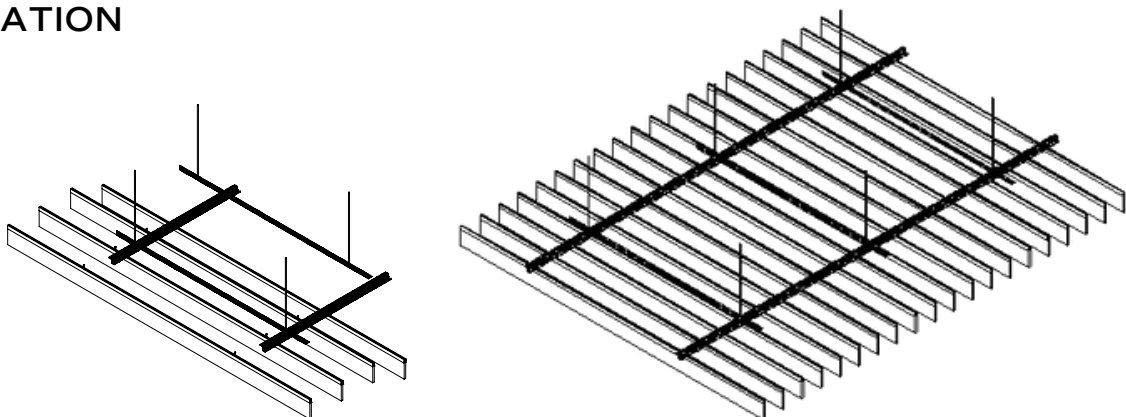
### KEY FEATURES & BENEFITS

- Available in 7 Natural colors & 33 Mandarin colours.
- Highly durable providing long-term stability and performance.
- Safe, non-toxic, non-irritant & without red list chemical binders.
- Recycled and recyclable.
- 10 years warranty.

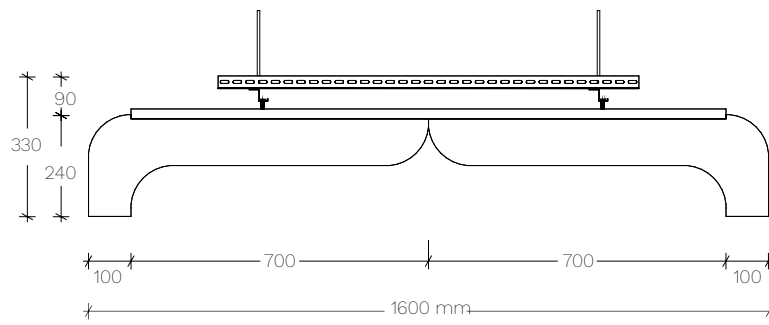
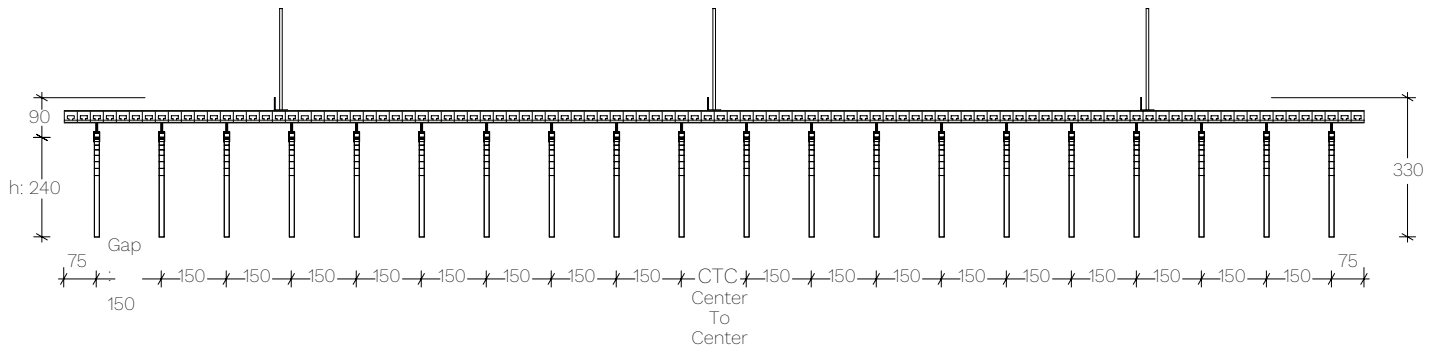
### CARE

- Easy to clean with a damp cloth or vacuum cleaner.
- Indoor use only.

### INSTALLATION



## BALANCE BAFFLE - 1600



## BALANCE BAFFLE - 2200

Baffle models of Plativity Collection are simple, elegant and one of the most dynamic modular acoustic ceiling systems. Easy to install, lightweight, and can be installed quickly to transform large volumes into linear ceiling systems. Baffle delivers tailor made acoustic solutions with cut-out 12mm thickness of Plate sheets that offers an adjustable gap between felt baffles and various dimensions. Upon request, we can manufacture with various thicknesses and customizable designs.

### SPECIFICATION

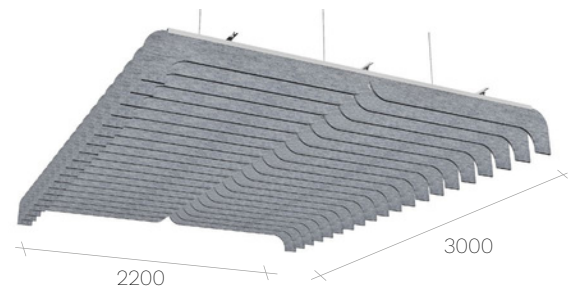
- Composition: 100 % polyester (recycled PET appx. 50 %)
- Material Weight: 12mm: 2600g/m<sup>2</sup> (+/- 5 %), 12mm: 3000g/m<sup>2</sup> (+/- 5 %)
- Material Thickness: 12mm Natural & Mandarin colors (+/- 10 %)
- Panel Weight: Natural / 2200x3000mm: kg / per pcs. (+/-5 %)  
Mandarin / 2200x3000mm: kg / per pcs. (+/-5 %)

### DIMENSIONS (mm)

W: 2200mm  
L: 3000mm  
H: 240mm  
CTC: 150mm

### PERFORMANCE

- Acoustic Rates: 0,55 NRC (EN-11654)
- Fire Rates: B, S1, d0 (EN-13501)
- Light fastness: 6+ (ISO-105 B02)
- Health : 99.9 % Antibacterial (ISO-20743)
- Formaldehyde-free (ISO-14184)
- Moisture Absorption: >0.03 % by weight (50°C/122°F at 90% relative humidity)
- Thermal insulating: 0,040 W/mK
- Abrasion: EN ISO 12947 / Performance 'A'



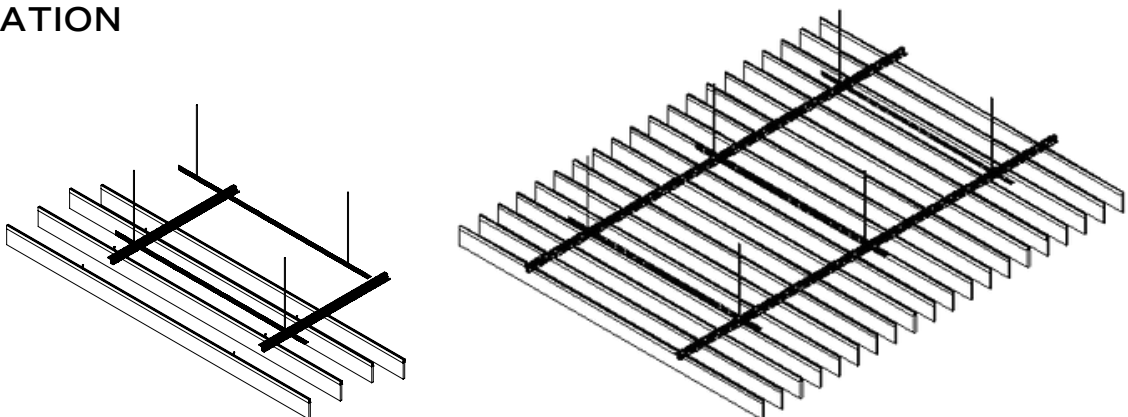
### KEY FEATURES & BENEFITS

- Available in 7 Natural colors & 33 Mandarin colours.
- Highly durable providing long-term stability and performance.
- Safe, non-toxic, non-irritant & without red list chemical binders.
- Recycled and recyclable.
- 10 years warranty.

### CARE

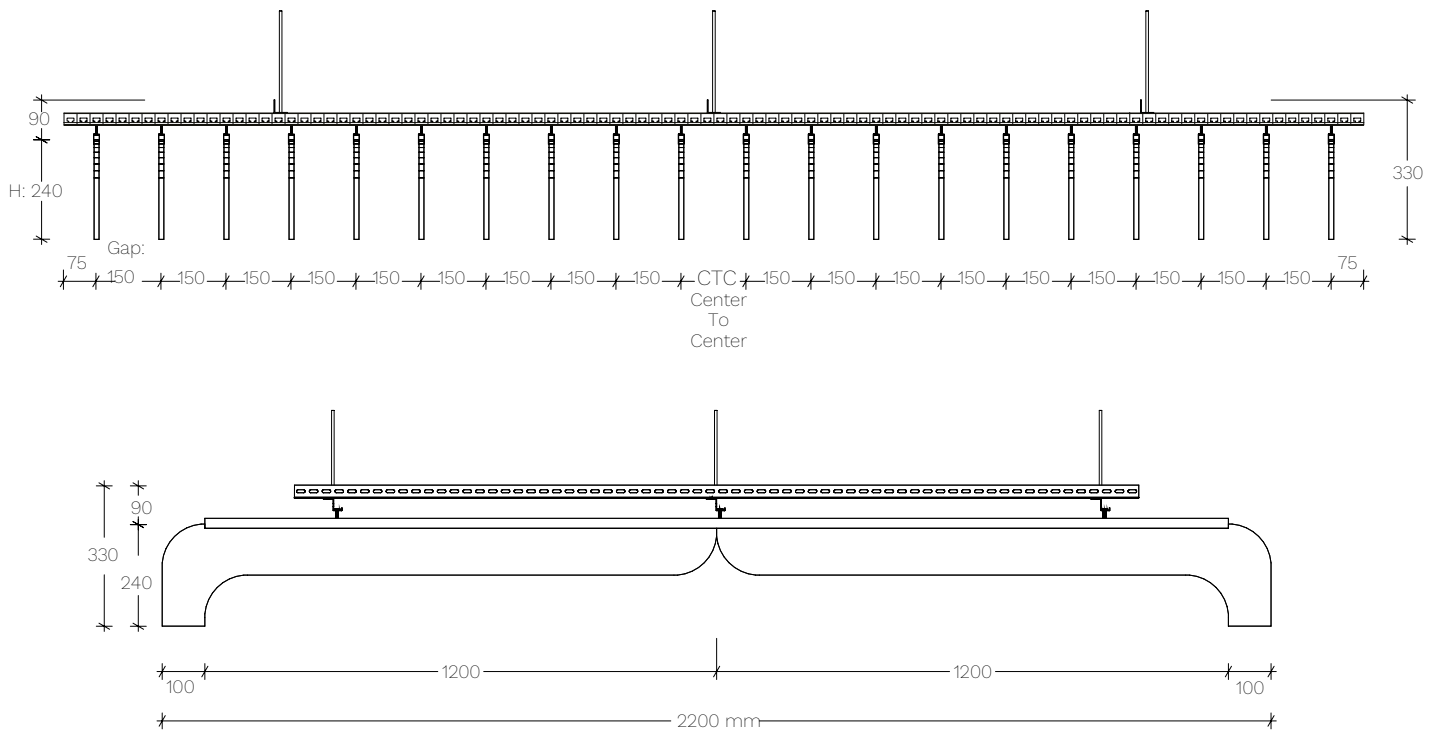
- Easy to clean with a damp cloth or vacuum cleaner.
- Indoor use only.

### INSTALLATION



# BALANCE BAFFLE - 2200

NGA  
Product Code: BFL342



# BALANCE BAFFLE - 2600

Product Code: BFL342

Baffle models of Plativity Collection are simple, elegant and one of the most dynamic modular acoustic ceiling systems. Easy to install, lightweight, and can be installed quickly to transform large volumes into linear ceiling systems. Baffle delivers tailor made acoustic solutions with cut-out 12mm thickness of Plate sheets that offers an adjustable gap between felt baffles and various dimensions. Upon request, we can manufacture with various thicknesses and customizable designs.

## SPECIFICATION

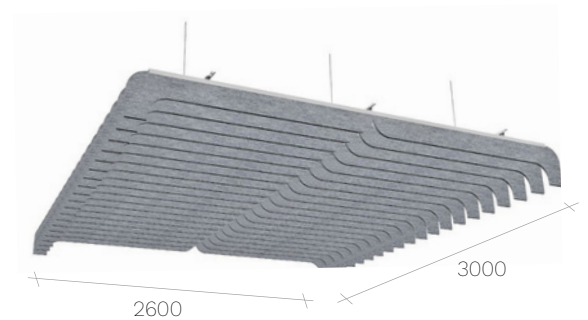
- Composition: 100 % polyester (recycled PET appx. 50 %)
- Material Weight: 12mm: 2600g/m<sup>2</sup> (+/- 5 %), 12mm: 3000g/m<sup>2</sup> (+/- 5 %)
- Material Thickness: 12mm Natural & Mandarin colors (+/- 10 %)
- Panel Weight: Natural / 2600x3000mm: kg / per pcs. (+/-5 %)  
Mandarin / 2600x3000mm: kg / per pcs. (+/-5 %)

## DIMENSIONS (mm)

W: 2600mm  
L: 3000mm  
H: 240mm  
CTC: 150mm

## PERFORMANCE

- Acoustic Rates: 0,55 NRC (EN-11654)
- Fire Rates: B, S1, d0 (EN-13501)
- Light fastness: 6+ (ISO-105 B02)
- Health : 99.9 % Antibacterial (ISO-20743)
- Formaldehyde-free (ISO-14184)
- Moisture Absorption: >0.03 % by weight (50°C/122°F at 90% relative humidity)
- Thermal insulating: 0,040 W/mK
- Abrasion: EN ISO 12947 / Performance 'A'



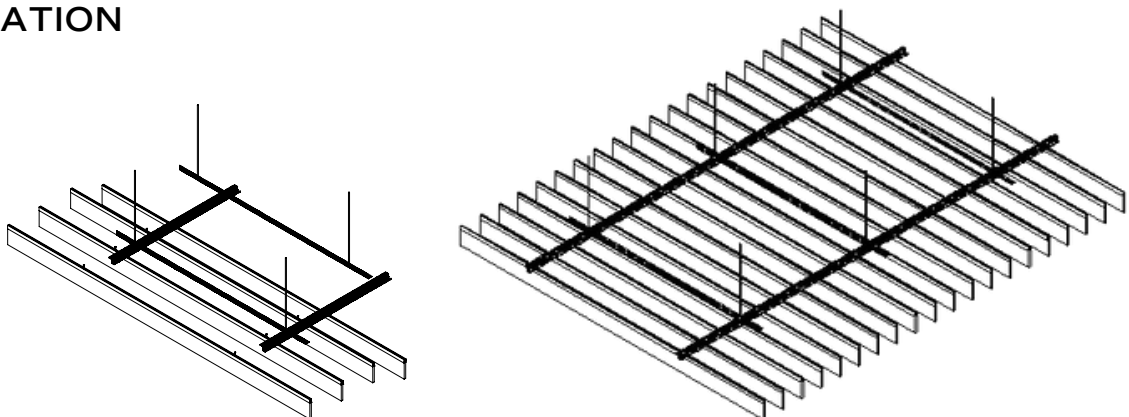
## KEY FEATURES & BENEFITS

- Available in 7 Natural colors & 33 Mandarin colours.
- Highly durable providing long-term stability and performance.
- Safe, non-toxic, non-irritant & without red list chemical binders.
- Recycled and recyclable.
- 10 years warranty.

## CARE

- Easy to clean with a damp cloth or vacuum cleaner.
- Indoor use only.

## INSTALLATION



# BALANCE BAFFLE - 2600

Product Code: BFL342

